



☎ 1-888-LGCANADA
FOR LG CUSTOMER SERVICE

Owner's Manual

Electric and Gas Dryer

DLE5977W / DLG5988W
DLE5977B / DLG5988B
DLE3777W / DLG3788W
DLE5977S / DLG5988S
DLE5977WM / DLG5988WM
DLE5977SM / DLG5988SM
DLE5977BM / DLG5988BM

Thank you for buying a LG Dryer.

Please read your manual carefully, as it provides instructions on safe Installation, Use and Maintenance.

Record the Model and Serial Numbers, and retain the manual for future reference.

For more information, visit our website at <http://us.lge.com>

website : <http://www.lg.ca>

e-mail : <http://www.LGService.com/techsup.html>

P/No.: 3828EL3003B

PRODUCT FEATURES



OUTSTANDING PERFORMANCE

Not to mention unmatched big capacity, you can benefit from good time efficiency, quiet operation and energy saving system.



STAINLESS STEEL DRUM

Stainless steel drum doesn't generate any rust by nature so that rust-free drum keeps clothes away from stain all time.



ARTISTIC DESIGN

Modern front panel look and big crystal-clear glass door make your dryer look stylish.



DIGITAL FABRIC CARE

Multi-Level temperature control takes better care of your clothes



EASY OF USE

An entire selection of user-friendly functions make operating the dryer easy.



USING THE RLM (REMOTE LAUNDRY MONITOR) (DLE5977WM, DLG5988WM, DLE5977SM, DLG5988SM, DLE5977BM, DLG5988BM)

The RLM monitors status of your washer and/or dryer. You can plug the display unit into any power outlet in your home. The RLM Display Unit can be purchased separately for this dryer.

What are Sensor Dry and Time Dry?

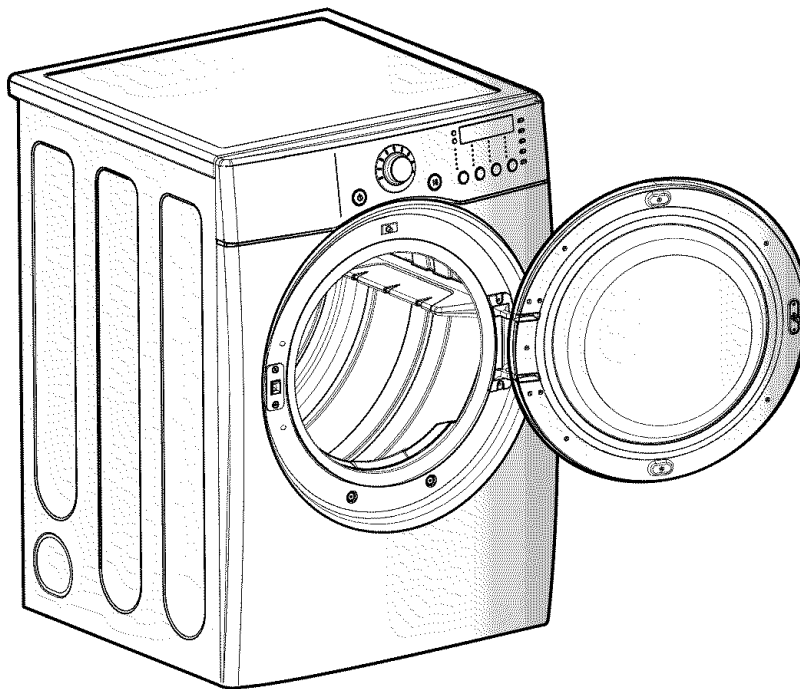
Your dryer provides sensor drying and time drying programs.

Sensor Dry : Dryer senses electronically laundry humidity and it automatically determines operation time based on the dryness of the load and the selected program. At times, you can see sudden increase or decrease on operation time. It happens because a sensor will detect laundry humidity with a certain period. Sudden change on operation time is not a malfunction.

Time Dry : Time Dry is that you can set operation time manually to complete drying. Or use Time Dry to have drying performance if clothes are still damp after sensor dry cycle is finished. Time Dry is more effective for heavyweight and bulky items such as king-size bed sheets and thick work clothes.

TABLE OF CONTENTS

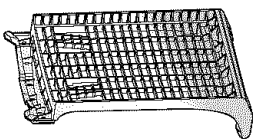
PART1. SPECIFICATIONS	3
PART2. IMPORTANT WARRANTY AND SAFETY INSTRUCTIONS	4-6
PART3. INITIAL STEPS FOR INSTALLING YOUR DRYER	7-12
PART4. ACCESSORIES INSTALLATION	13-14
PART5. ELECTRICAL REQUIREMENTS FOR ELECTRIC DRYER.....	15
PART6. ELECTRICAL REQUIREMENTS FOR GAS DRYERS	16
PART7. GAS REQUIREMENTS AND INSTRUCTIONS.....	17
PART8. EXHAUST REQUIREMENTS AND MAINTENANCE.....	18-19
PART9. OPERATING YOUR DRYER.....	20-25
PART10. TROUBLESHOOTING GUIDE	26-28
LG DRYER LIMITED WARRANTY	29



- Type : Electric and Gas Dryer
- Rating : Please refer to the rating label regarding detailed information.
- Size : 27 x 29.9 x 38.7(inch)
- Capacity : IEC 7.3cu.ft. (22.5 lb)
- Weight : 126 lbs (57.2 kg)

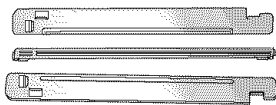
Specifications are subject to change by manufacturer.

■ ACCESSORIES



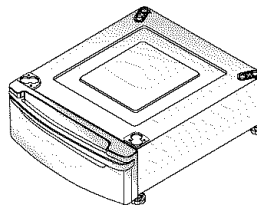
Dryer rack (1 each)

See page 26 for how to use.



Stacking kit (1 each)
Purchased Separately

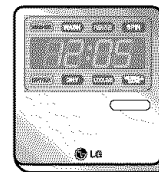
See page 13 for how to use.



** Design of pedestals are subject to change with manufacturers notice.*

Pedestal (1 each)
Purchased Separately

See page 14 for how to use.



Remote Laundry Monitor
Purchased Separately
(DLE5977WM, DLG5988WM,
DLE5977SM, DLG5988SM,
DLE5977BM, DLG5988BM)

SEEKING WARRANTY ASSISTANCE

The Warranty for your Dryer is located at the end of this manual. Warranty Service is available by contacting your nearest LG Service Center. If this product is installed and operated per this manual, LG will repair or replace any parts defective in material or workmanship throughout the Warranty period, beginning the Date of Purchase.

⚠ WARNING!

For your safety, the recommendations in this manual must be followed. To reduce the risk of fire or explosion, electric shock, or to prevent property damage, personal injury, or death when using your appliance, follow basic precautions, including the following.

Warranty Restriction: If the dryer is subjected to other than private family use, all warranty coverage is effective for only 90 days.

You will need the complete Model and Serial Number when requesting Warranty Service. Proof of purchase date is required.

Use the space below to record the model number and serial number of your new LG dryer.

Model No. _____

Serial No. _____

Date of Purchase _____

* Staple your receipt HERE.

IMPORTANT SAFETY INSTRUCTIONS

⚠ WARNING!

To help reduce any risk of electric shock, fire, or other personal or property injury when using your dryer, please exercise care and follow basic safety precautions, including the following:

- 1) Read all instructions before using the appliance.
- 2) Do not dry articles that have come into contact with gasoline, dry-cleaning solvents, or other flammable or explosive substances, as they give off vapors that could ignite or explode.
- 3) Do not allow children to play on or in the appliance. Close supervision of children is necessary when using the appliance.
- 4) Before the appliance is removed from service or discarded, remove the door to the drying compartment.
- 5) Do not reach into the appliance if the drum is moving.
- 6) Do not install or store this appliance where it will be exposed to the weather.
- 7) Do not tamper with controls.
- 8) Do not repair or replace any part of the appliance or attempt any servicing unless specifically recommended in the user-maintenance instructions.
- 9) Do not use heat to dry articles containing foam rubber or similarly textured rubber-like materials.
- 10) Clean lint screen before or after each load.
- 11) Keep area around the exhaust opening and adjacent surrounding areas free from the accumulation of lint, dust, and dirt.
- 12) The interior of the appliance and exhaust duct should be cleaned periodically by qualified service personnel.
- 13) Do not place items exposed to cooking oils in your dryer. Items contaminated with cooking oils may contribute to a chemical reaction that could cause a load to catch fire.
- 14) Do not use fabric softeners or products to eliminate static unless recommended by the manufacturer of the fabric softener or product.

SAVE THESE INSTRUCTIONS

GROUNDING INSTRUCTIONS

This appliance must be grounded. In the event of malfunction or breakdown, grounding will reduce the risk of electric shock by providing a path of least resistance for electric current. This appliance is equipped with a cord having an equipment-grounding conductor and a grounding plug. The plug must be plugged into an appropriate outlet that is properly installed and grounded in accordance with all local codes and ordinances.

WARNING - Improper connection of the equipment-grounding conductor can result in a risk of electric shock. Check with a qualified electrician or service person if you are in doubt as to whether the appliance is properly grounded.

Do not modify the plug provided with the appliance: if it will not fit the outlet, have a proper outlet installed by a qualified electrician.

This appliance must be connected to a grounded metal, permanent wiring system or an equipment-grounding conductor must be run with the circuit conductors and connected to the equipment-grounding terminal or lead on the appliance.

WHAT TO DO IF YOU SMELL GAS:

- Do not try to light a match or cigarette, or turn on any gas or electrical appliance.
- Do not touch any electrical switches. Do not use any phone in your building.
- Clear the room, building or area of all occupants.
- Immediately call your gas supplier from a neighbor's phone. Follow the gas supplier's instructions carefully.
- If you cannot reach your gas supplier, call the fire department.

WARNING

To reduce the risk of fire or explosion, electric shock, property damage, personal injury or death when using this appliance, please follow all instructions and information, including those in this manual and instructions and information provided by your gas supplier, including the following:

- Do not store or use any gasoline, dry-cleaning solvents any other flammable vapors or liquids in the area surrounding this appliance.
- Do not dry anything that has ever had anything flammable on it, even after washing.
- No washer can completely remove oil. Do not dry any articles that have ever had any kind of oil on them, including cooking oil.
- Articles containing foam, rubber, rubber-like materials, plastic or similar materials should be dried on a clothesline or by using an air cycle.
- Failure to follow these instructions can result in fire, death or serious injury.
- A qualified service person or company must perform installation and service of this appliance.

WARNING!

- Keep flammable materials and vapors, such as gasoline, away from dryer.
- Place dryer at least 18 inches above the floor for a garage installation.
- Failure to do so can result in death, explosion or fire.

California Safe Drinking Water and Toxic Enforcement Act

This act requires the governor of California to publish a list of substances known to the state to cause cancer, birth defects or other reproductive harm and requires businesses to warn customers of potential exposure to such substances.

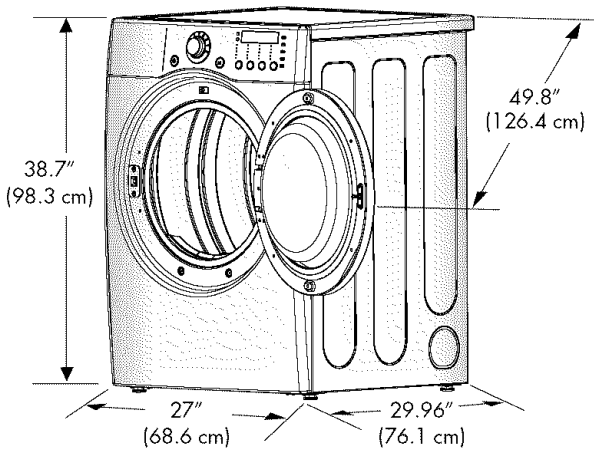
Gas appliances can cause minor exposure to four of these substances, namely benzene, carbon monoxide, formaldehyde and soot, caused primarily by the incomplete combustion of natural gas or LP fuels.

Properly adjusted dryers will minimize combustion. Exposure to these substances can be minimized further by properly venting the dryer to the outdoors.

The following instructions will help guide you through the initial steps of setting up your dryer for use. Please note that every section of this manual provides important information regarding the preparation and use of your dryer, and it is important that you review this entire manual before proceeding with any installation or use. More detailed instructions concerning electrical connections, gas connections, and exhaust requirements are provided at other parts of this manual.

STEP 1 Positioning the Dryer.

Choose a location with a solid floor for your dryer. Place the dryer at least eighteen inches above the floor for a garage installation. After placing the dryer in the desired location, please make sure that it has the required clearances shown below, and sections on Exhaust and Maintenance requirements. If you are installing your dryer in a manufactured or mobile home, please refer to STEP 9 below for additional instructions.



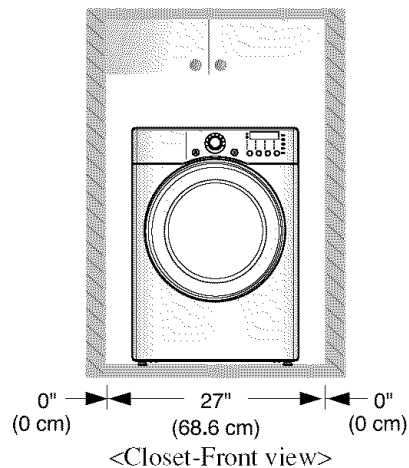
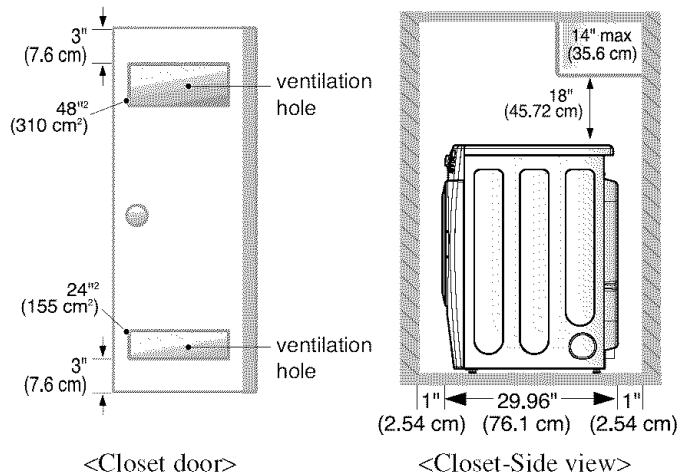
* Most installations require a minimum 5 1/2 in. (14 cm) clearance behind the dryer for the exhaust vent with elbow.

Note

Leveling legs should be secured.
All four legs are stably placed on the solid and even floor.
If dryer is not level, laundry may not tumble properly and sensor will not detect the accurate humidity information.
When adjusting leveling, please be cautious not to have serious injuries on your fingers and toes.

Certain minimum clearances are required above, behind, and to the sides of the unit, as shown below. Those required minimum clearances are set forth in the picture below. Please also keep the following instructions in mind when installing in a closet or recessed area:

- Consider allowing additional clearance for installation and servicing.
- Wall, door and floor molding may force additional clearances.
- An additional inch of clearance is recommended to minimize noise transfer .
- Consider space needed for companion appliances.
- For closet installations, the picture below shows the minimum required ventilation openings for the door. A louvered door with comparable ventilation openings is also acceptable.



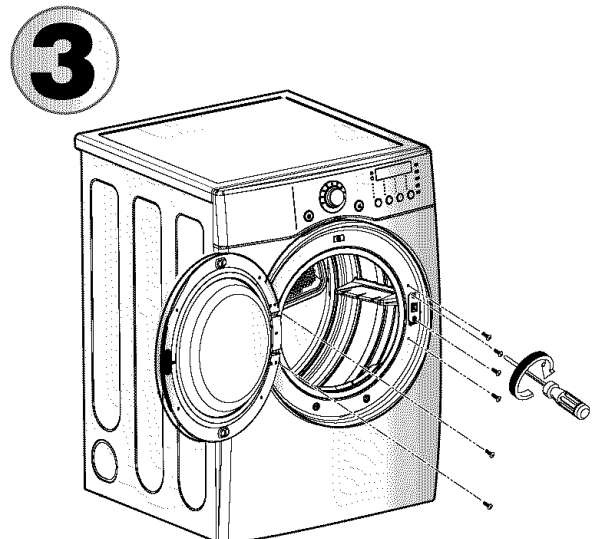
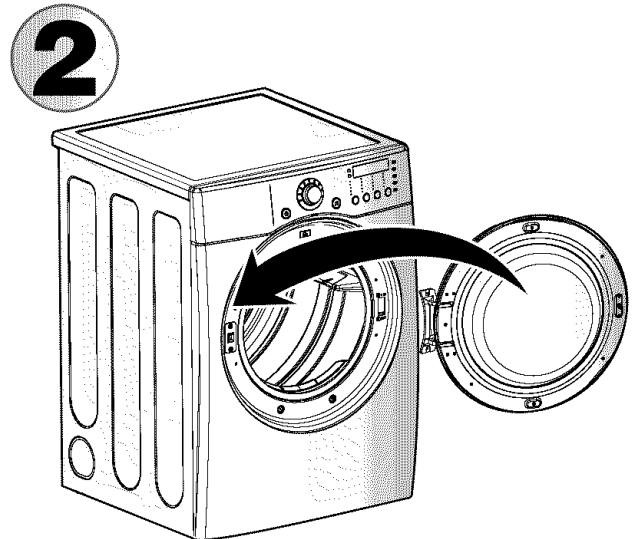
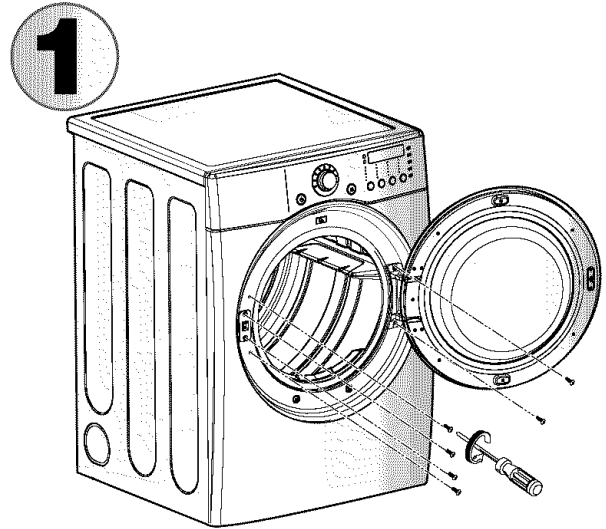
Once in position, adjust the leveling legs of the dryer until it is level from left to right and from front to back. The leveling legs must remain firmly on the floor and the dryer should not rock. The maximum slope of the dryer from left to right or from front to back should not exceed 2.5 cm (1 inch). If the dryer is not level, and if the slope exceeds 2.5 cm (1 inch), a load may not tumble properly and internal sensors may malfunction. Note: Other sections of this manual also provide important information concerning the placement of and clearances for your dryer. Please review this entire manual before proceeding with any installation.

STEP 2 Procedure for Reversing the Door

The door on your dryer can be installed to open either to the left or the right. Follow these procedures to reverse the direction in which your door opens:

Note

Door and latch should be aligned at the center when closed. Otherwise, door is improperly closed and opened.



STEP 3 Connecting the Exhaust and Venting System.

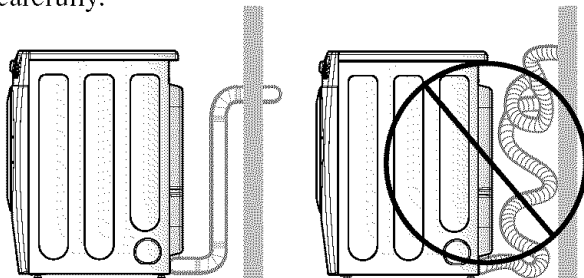
⚠ WARNING!

- Use a heavy metal vent.
- Do not use a plastic vent.
- Do not use a metal foil vent.
- Failure to follow these instructions can result in death or fire.
- Clean old ducts before installing this dryer

Note

Vent end will face to the outside home and improper taping and unstable installation of vent will cause undesirable drying performance.

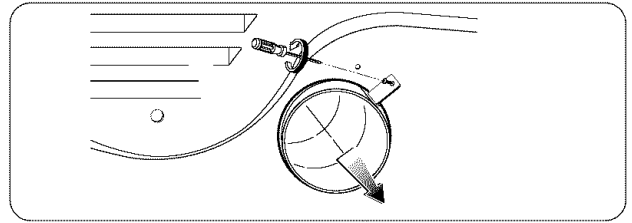
In addition to the following warnings, please refer to manual section on Exhaust Requirements and Maintenance. **IMPORTANT:** To reduce the risk of fire, combustion, and gas accumulation, the dryer must be vented to the outdoors. Please follow the instructions (and all others in this manual) very carefully.



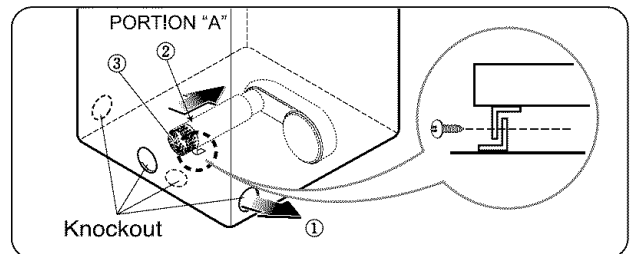
- Do not use thin plastic or foil ducting.
- Use 4" (10.2 cm) diameter rigid or flexible metal duct (note: venting materials are not supplied with the dryer, and you should obtain the venting materials necessary for proper installation)
- Position the Dryer such that the exhaust duct run is as short as possible.
- **Clean old ducts before installing this dryer**
- The male end of each section of exhaust duct must point away from the dryer
- Use as few elbow joints as possible.
- Use duct tape on all duct joints
- Insulate ductwork that runs through unheated areas in order to reduce condensation and lint build-up on pipe walls; and
- **PLEASE BE AWARE THAT FAILURE TO EXHAUST THE DRYER CORRECTLY WILL VOID THE DRYER'S WARRANTY.**

ALTERNATE EXHAUST DIRECTIONS

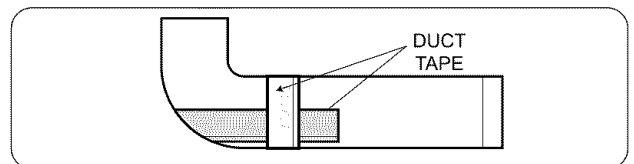
1. Remove a screw and exhaust duct.



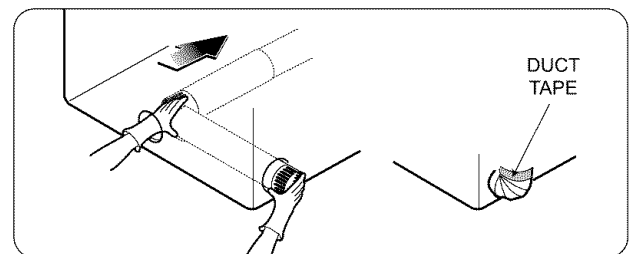
2-1. Detach and remove the knockout that matches the desired venting direction (Right side not available on Gas Dryers)
①, ②, ③ the order of work.



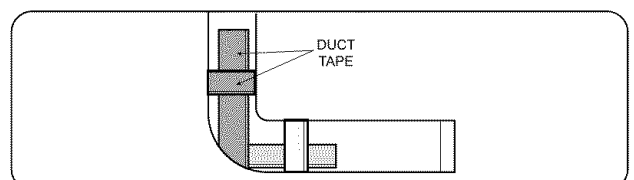
2-2. Reconnect the duct to the blower housing and attach the duct to the base. (Duct is a SVC part)



3-1. Pre-assemble 4" elbow with 4" duct. Wrap duct tape around joint.

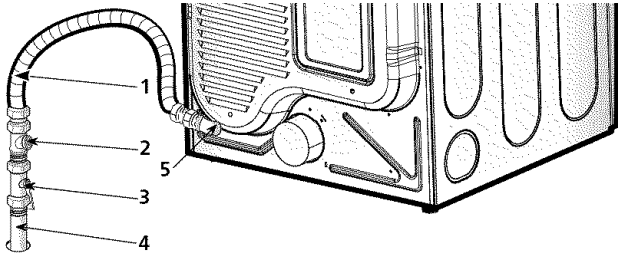


3-2. Insert elbow duct assembly first through the side opening and connect the elbow to the internal duct.



STEP 4 Connection of Gas Supply

(Gas dryer only). In addition to the following, please refer to manual section on Gas Requirements and Instructions.



1. New stainless steel flexible connector. Use this type of connector only if allowed by local codes. Use Design AGA Certified Connector.
2. 1/8" NPT Pipe Plug (for checking inlet gas pressure)
3. Equipment Shut-Off Valve- Installed within 6' (1.8 m) of dryer
4. Iron Pipe. Shorter than 20' (6.1 m) Use 3/8" pipe. Longer than 20' (6.1 m) - Use 1/2" pipe.
5. 3/8" N.P.T. Gas Connection

Note

Make sure the burner nozzle is proper for the type of gas you are provided with.

For instance, using LPG with LNG nozzle will result in death, fire or explosion. Or using LNG with LPG nozzle will not ignite burner.

If needed, nozzle conversion should be done by a qualified service technician and mark or put the label of the current type of nozzle on the dryer.

1. Confirm that the type of gas available in your laundry room is appropriate for the dryer. The dryer is prepared for Natural Gas with a 3/8" NPT gas connection.
2. Remove the shipping cap from the gas connection at the back of the dryer. Make sure that you don't damage the threads of the gas connection pipe when you remove the shipping cap.
3. Connect the dryer to your laundry room's gas supply using a new flexible stainless steel connector (as noted below, only use a new stainless steel flexible connector if allowed by your local codes).
4. Securely tighten all connections between the dryer and your laundry room's gas supply. Turn on your laundry room's gas supply and check all pipe connections (both internal and external) for gas leaks with a non-corrosive leak detection fluid. Refer to Part 7(page 20)
5. For LP (Liquefied Petroleum) gas connection, refer to this manual's section entitled Gas Requirements and Instructions.

STEP 5 Electrical Plug Connections

Following are several warnings and instructions concerning making the electrical connection for electric dryers. More detailed information concerning the electrical connection is provided at the manual section entitled Electrical Requirements For Electric Dryer and it is important that you thoroughly review that section, and the remainder of this manual, before taking any steps to install or use this dryer.

1. Use only a new U.L. listed No. 10 (copper wire only) three conductor power supply cord kit rated 240 Volts (minimum) 30 Amperes and labeled as suitable for use in a clothes dryer.
2. Four-wire cord is required for manufactured (mobile) home installations and use and where local codes do not allow grounding of this appliance through neutral.
3. Electrical Plug Connections.
4. For additional instruction on connecting the dryer to an electrical power source, please refer to this manual's section on Electrical Requirements and Electric Dryer.

Note**Burner input requirements**

If your house is located at the elevation up to 10,000 feet.

Adjusting burner input setting is not needed in this elevation because A.G.A certifies this dryer will not have any problem with the B.T.U rating at this altitude. If your house is at above 10,000 feet, you are required to adjust a four percent(4%) reduction of the burner B.T.U rating indicated on the model/serial rating plate.

WARNING!

- Use a new UL approved 30 amp power supply cord or 10 gauge solid copper wire.
- Use a UL approved strain relief.
- Disconnect power before making electrical connections.
- Connect neutral wire(white or center wire) to center terminal.
- Ground wire(green or bare wire) must be connected to green ground connector.
- Securely tighten all electrical connections
- See installation instructions for complete instructions.
- Failure to do so can result in fire or electrical shock.

STEP 6 Preparation of the Dryer.

Prior to the first use of this appliance, use all-purpose cleaning products or a solution of detergent and water, with damp clothes to remove from the inside of the dryer drum/drying compartment any dust or dirt that may have accumulated the inside of the dryer. Plug-in your dryer after reviewing the following parts on your dryer's Electrical Requirements.

STEP 7 Confirming Heat Source Operation.**Confirming Heat Source in Gas Dryers**

Close the door to the dryer drum/drying compartment and, after completing all steps in this manual for proper installation of this dryer, start the dryer on a heat setting, as described more fully in the operating instructions that accompany the dryer. After the dryer starts, the igniter will glow red and the main burner will ignite.

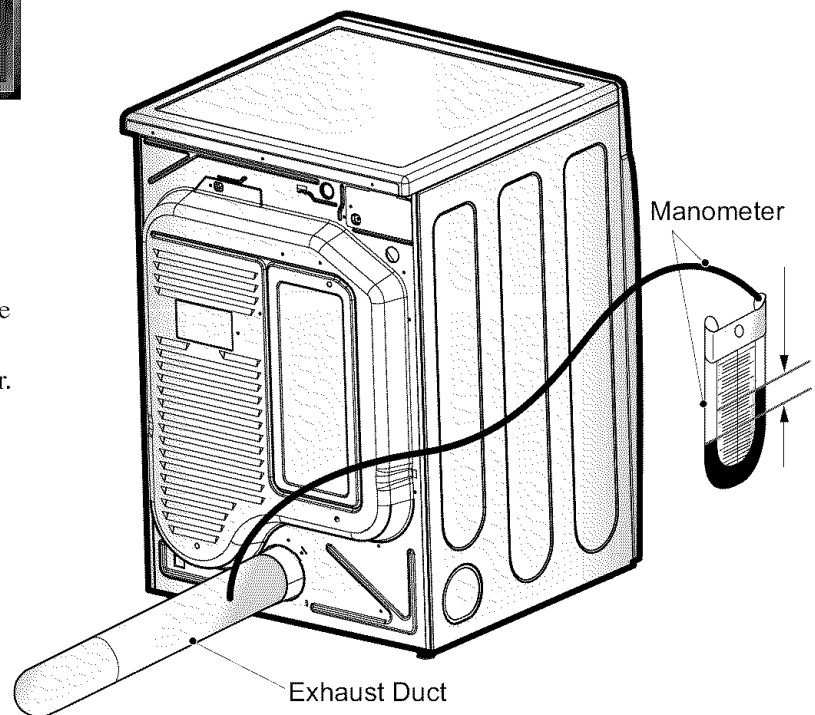
Warning: If all air is not purged from the gas line, the gas igniter may go off before the gas and the main burner have ignited. If this happens, the igniter will re-attempt gas ignition after approximately two minutes.

Confirming Heat Source in Electric Dryers

Close the door to the dryer drum/drying compartment and, after completing all steps in this manual for proper installation of this dryer, start the dryer on a heat setting, as described more fully in the operating instructions that accompany the dryer. The exhaust air or the exhaust pipe should be warm after the dryer has been operating for three minutes.

STEP 8 Dryer Airflow.

Effective dryer operation requires appropriate dryer airflow. The adequacy of the airflow can be measured by evaluating the static pressure. Static pressure in the exhaust duct can be measured with a manometer, placed on the exhaust duct approximately 2 ft. (60.9 cm) from the dryer. Static pressure in the exhaust duct should not exceed 0.6 inches (1.5 cm). The dryer should be checked with the dryer running with no load.

Measuring Static pressure

**MAXIMUM STATIC
PRESSURE IN
WATER COLUMN**

0.6 inch (1.5 cm)

STEP 9 Additional Instructions for Installation of Your Dryer in a Manufactured or Mobile Home.

The following instructions are applicable to installations of the dryer in a manufactured or mobile home. Any installation in a manufactured or mobile home must comply with the Manufactured Home Construction and Safety Standards Title 24 CFR, Part 32-80 or Standard CAN/CSA0Z240 MH and local codes and ordinances. If you are uncertain whether your proposed installation will comply with these standards, please contact a service and installation professional for assistance.

The following instructions apply to any installation of the dryer in a manufactured or mobile home:

- 1) The gas dryer must be permanently attached to the floor.
- 2) The electrical connection for an electric dryer must be a 4-wire connection. More detailed information concerning the electrical connection is provided at the manual section entitled Electrical Requirements for Electric Dryer
- 3) To reduce the risk of combustion and fire, the dryer must be vented to the outside.
- 4) Electric dryers may be vented to the outside using the back, left, right, or bottom panel.
- 5) Gas dryers may be vented to the outside using the back, left, or bottom panel. Gas dryer may not be vented to the outside using the right side panel because of the burner housing.
- 6) The dryer exhaust duct must be affixed securely to the manufactured or mobile home structure, and the exhaust duct must be made of a material that will resist fire and combustion, and it is recommended that you use a rigid or flexible metal pipe.
- 7) DO NOT connect the exhaust duct with any other duct, vent, chimney, or other exhaust duct.
- 8) Make sure the dryer has adequate access to outside fresh air to ensure proper operation. The opening for outside fresh air must be at least 25 in² (163 cm²).
- 9) It is important that the clearance of the duct from any combustible construction be at least 2 inches (5 cm), and, when venting the dryer to the outdoors, the dryer can be installed with a clearances of 1 inch at the sides and back of the dryer.
- 10) Please be aware that venting materials are not supplied with the dryer. You should obtain the venting materials necessary for proper installation.

WARNING!

DO NOT connect exhaust ducts with metal screws or fasteners that extend into the duct.

WARNING!

DO NOT vent the exhaust duct under the manufactured or mobile home.

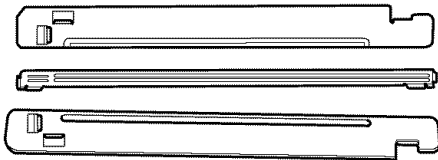
Stacking Kit Installation Instructions

To ensure safe and secure installation, please observe the instructions below.

! WARNING!

Incorrect Installation can cause serious accidents.

The weight of the dryer and the height of installation makes the stacking procedure too risky for one person. This procedure should be performed by 2 or more experienced service personnel.



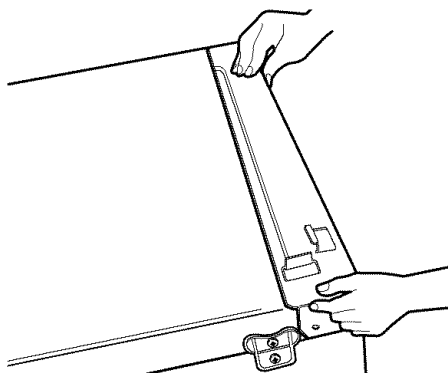
Stacking kit

1 Place washer firmly on a stable, even and solid floor.

2 Peel protective paper off the tape from the stacking kit side bracket.



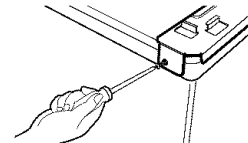
3 Fit the stacking kit side bracket firmly to the side of top plate by attaching the double-faced tape to top plate as picture shows.



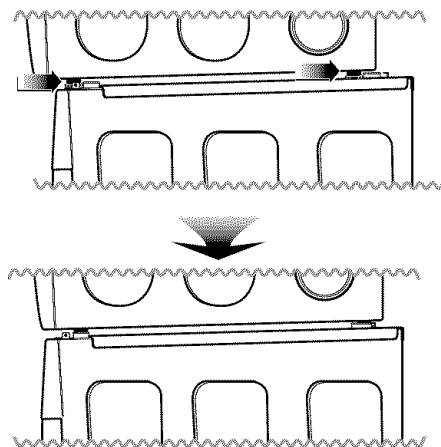
Note

If there are some foreign objects on the surface of top plate, it becomes difficult to apply double-face tapes on.

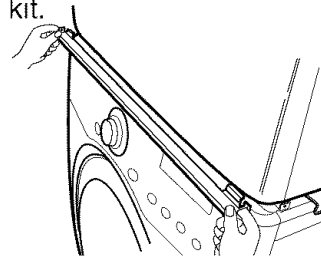
4 Secure stacking kit side bracket to the washer with a screw on the back of bracket. Repeat Steps 2, 3, 4 for the other side.



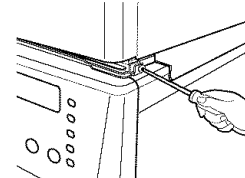
5 Place the dryer on top of the washer by fitting legs as shown in the picture. Avoid finger injuries - be careful not to pinch fingers between the washer and dryer. Slide washer slowly backwards to the stopper of kit.



6 Insert the front stacking kit. Push the front stacking kit back to the stoppers of side stacking kit.



7 Screw both sides of the front kit.



• Do not use stacking kit with a gas dryer in potentially unstable conditions like a mobile home.

Pedestal Installation Instructions

1 Remove pedestal, installation hardware, and instructions from the shipping carton.

2 Position dryer on top of the pedestal.
NOTE : Because of the weight of the dryer two or more people may be needed.

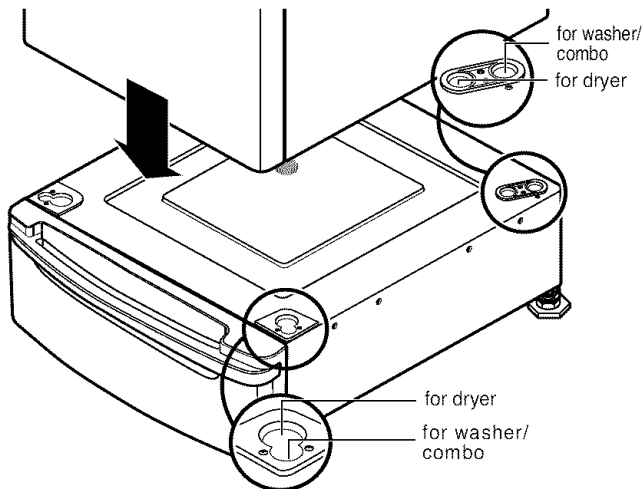
NOTE : If dryer was previously installed, uninstall it as follows:

A. Uninstalling an electric dryer:

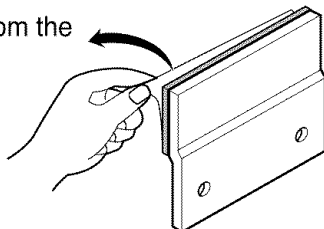
- 1) Unplug the power supply cord,
- 2) Pull the dryer away from the wall enough to loosen the vent clamp. Loosen the clamp and carefully remove the exhaust vent from the dryer exhaust outlet.

B. Uninstalling a gas dryer:

- 1) Shut off Gas
- 2) Unplug Power Cord
- 3) Disconnect Gas Line from Dryer
- 4) Pull away and loosen vent clamp.
Disconnect venting.

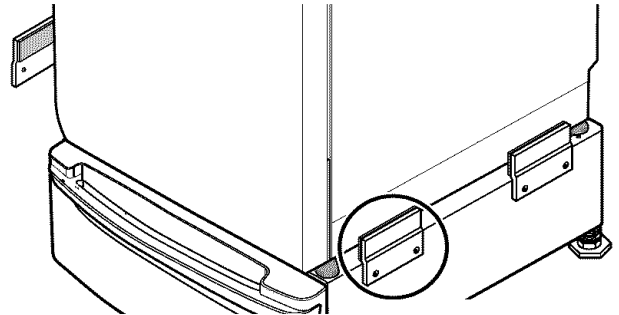


3 Remove the paper from the bracket.

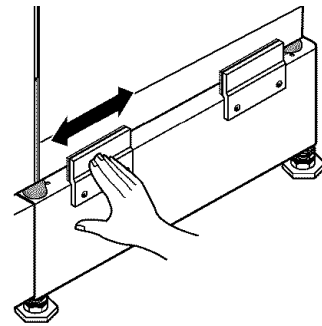


4 Attach the double-faced tape of the bracket to the dryer as shown so the bent parts of the brackets align with the edge and can be attached to the pedestal with screws.

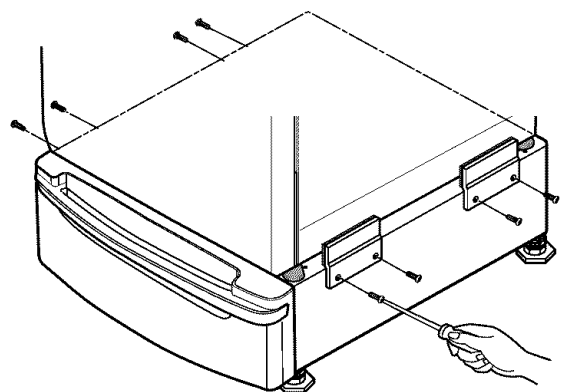
NOTE : Attach the lower side first.



5 Be sure to press the adhesive parts of the brackets firmly to the appliance.



6 Install the eight (8) screws (supplied) to attach the brackets to the pedestal.



7 Move the dryer to the desired place.

NOTE : The appliance and pedestal assembly must be placed on a solid and level floor for proper operation. Adjust the legs of the appliance and pedestal by turning with a wrench. Then, adjust the lock nut toward the pedestal while holding the pedestal leg using a wrench.

Following are additional instructions regarding electrical connections and requirements for electric dryers.

⚠ Important Warning: To help prevent fire, electric shock, serious injury or death, the wiring and grounding must conform to the latest edition of the National Electrical Code, ANSI/NFPA 70 and all applicable local regulations. Please contact a qualified electrician to check your home's wiring and fuses to ensure that your home has adequate electrical power to operate the dryer.

120V/ 240V, 60 Hertz, 3-Wire Installation

Instructions for Grounding of your Electric Dryer:

- a) Please note that the wiring diagram is provided Inside the dryer cabinet.
- b) This dryer must be connected to a grounded metal, permanent wiring system; or an equipment-grounding conductor must be run with the circuit conductors and connected to the equipment-grounding terminal or lead on the dryer.
- c) The dryer has its own terminal block that must be connected to a separate branch, 60 Hertz, single phase circuit, AC (alternating current) circuit, fused at 30 Amperes (the circuit must be fused on both sides of the line). **ELECTRICAL SERVICE FOR THE DRYER SHOULD BE OF MAXIMUM RATE VOLTAGE LISTED ON THE NAMEPLATE. DO NOT CONNECT DRYER TO 110, 115, OR 120 VOLT CIRCUIT.** Heating elements are available for field installation in dryers which are to be connected to electrical service of different voltage than that listed on nameplate.
- d) If branch circuit to dryer is fifteen feet (4.50 m) or less in length, use U.L. (Underwriters Laboratories) listed No. 10 A.W.G. wire (copper wire only), or as required by local codes. If over fifteen feet (4.50 m), use U.L. (Underwriters Laboratories) listed No. 8 A.W.G. wire (copper wire only), or as required by local codes. Allow sufficient slack in wiring so dryer can be moved from its normal location when necessary.
- e) The power cord (pigtail) connection between wall receptacle and dryer terminal block IS NOT supplied with dryer. Type of pigtail and gauge of wire must conform to local codes and with instructions mentioned on the following pages.
- f) The method of wiring the dryer is optional and subject to local code requirements. Refer to examples on next page.
- g) You must select the method by which to wire your dryer according to local code and ordinance requirements. Sample methods are included in the following pages.

⚠ WARNING!

Label all wires prior to disconnection when servicing the dryer, because wiring errors can cause serious injury to you and your dryer.

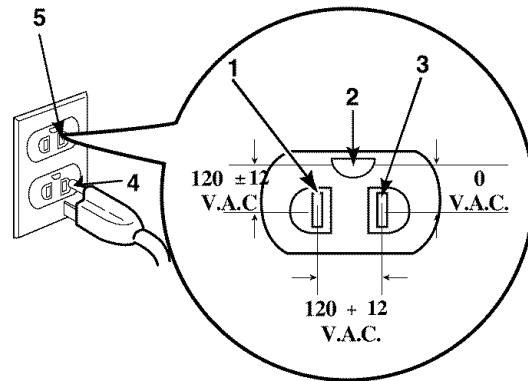
120 Volt, 60 Hertz, with 3-Prong Grounding Plug

Following are additional instructions regarding electrical connections and requirements for gas dryers.

⚠ Important Warning: To help prevent fire, electric shock, serious injury or death, the wiring and grounding must conform to the latest edition of the National Electrical Code, ANSI/NFPA 70, or the Canadian Electrical Code, CSA C22.1, and all applicable local regulations. Please contact a qualified electrician to check your home's wiring and fuses to ensure that your home has adequate electrical power to operate the dryer.

Electrical Requirements for Your Dryer:

- Please note that the wiring diagram is provided inside the dryer control hood. Label all wires prior to disconnection when servicing the dryer, because wiring errors can cause serious injury to you and your dryer.
- Your dryer is designed to be used on a separate branch, polarized, three-wire, effectively grounded, 120 Volt, 60 Hertz, AC (alternating current) circuit protected by a 15 Ampere fuse, equivalent fuselron or circuit breaker.
- Use separately fused circuits for washers and dryers, and **DO NOT** operate a washer and a dryer on the same circuit.

**STANDARD 120 VOLT, 60 HERTZ, 3-WIRE EFFECTIVELY GROUNDED CIRCUIT**

- | | |
|---|-----------------------|
| 1 | L1 |
| 2 | Ground |
| 3 | Neutral Side |
| 4 | Round Grounding Prong |
| 5 | Neutral |

- The dryer has a three-prong plug to help guard against shock. The plug should be plugged directed into a properly grounded three-prong receptacle that is rated 120 Volts AC (alternating current) 15 Amps. This plug, in order to be properly and fully effective, must be plugged into a properly installed outlet that is grounded in accordance with all local codes and ordinances.
- The dryer must be grounded in order to reduce the risk of electric shock, including a malfunction or breakdown.
- If your laundry room does not meet the specifications required by this manual, or if you are uncertain whether or not your laundry room meets these specifications, please have a qualified service person or company, for example a qualified electrician or your local electric company, review your laundry room's electrical supply for any problems.

⚠ WARNING!

Do not overload the circuit by operating other appliances on the same circuit when this appliance is operating, by using an extension cord to connect the dryer to the power source, or by using any adapter to allow additional cords to connect to the same outlet.

⚠ WARNING!

DO NOT modify the plug provided with the dryer. If it does not fit the outlet in your laundry room, a proper outlet will need to be installed in your laundry room by a qualified service person or company.

Following are important instructions and information concerning the requirements for the gas supply and service for gas dryers. **⚠ Important Warning:** The gas supply and service for a gas dryer must comply with all local codes and ordinances. In the absence of any local codes or ordinances in your area, the gas supply and service for your gas dryer must comply with the latest edition of the National Fuel Gas Code, ANSI Z223.1/NFPA 54.

1. Gas supply requirements: Liquefied Petroleum (L.P.) Gas (2,500 Btu/ft³ (93.1 MJ/m³)) service must be provided at 10 + 1.5 in. water column pressure.
2. Do not attempt to connect Dryer to Liquefied Petroleum (LP Gas) Gas service without a qualified professional.
3. Isolate the dryer from the gas supply piping system by closing its individual manual shut-off valve, during any pressure testing of the gas supply system at test pressure equal to or less than 2/1 psi (3.45 kPa).
4. Supply Line Requirements. Your laundry room must have a rigid gas supply line to your dryer. In the United States, an individual manual shutoff valve **MUST** be installed within at least 6 feet (1.8m) of the dryer, in accordance with the National Fuel Gas Code ANSI Z223.1. A 1/8 in. N.P.T. pipe plug must be installed as shown.
5. If using a rigid pipe, the rigid pipe should be 1/2 inch IPS. If acceptable under local codes and ordinances and when acceptable to your gas supplier, 3/8 inch approved tubing may be used where lengths are less than 20 feet (6.1m). Larger tubing should be used for lengths in excess of 20 feet (6.1m). It is also important that you use pipe joint compound that is insoluble in LP gas.
6. To reduce the danger of gas leaks, explosion, and fire, please follow and observe the following **instructions and WARNINGS:**
 - Connect the dryer to the type of gas shown on the nameplate;
 - Use new flexible stainless steel connectors;
 - Use Teflon tape and pipe joint compound insoluble in LP gas on all pipe threads;
 - Purge gas supply of air and sediment before connecting the gas supply to the dryer; in order to prevent gas valve contamination, before tightening connection between gas supply and dryer, purge remaining air until odor of gas is identified; and
 - **DO NOT** use an open flame to inspect for gas leaks; instead, use a non-corrosive leak detection fluid.

⚠ WARNING!

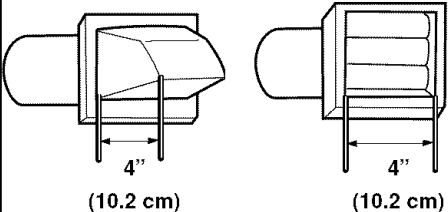
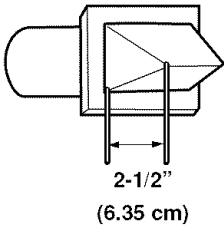
DO NOT attempt any disassembly of the dryer, any disassembly requires the attention and tools of an authorized and qualified service person or company.

⚠ WARNING!

- Use a new AGA or CSA approved gas supply line.
- Install a shut-off valve.
- Securely tighten all gas connections.
- If connected to LP, have a qualified person make sure gas pressure does not exceed 13 in. water column.
- Examples of a qualified person include licensed heating personnel, authorized gas company personnel, and authorized service personnel.
- Failure to do so can result in death, explosion, or fire.

Following are important instructions and information concerning the exhaust requirements for your dryer.

⚠ Important Warning: To reduce the risk of fire, combustion, or accumulation of combustible gases, **DO NOT** exhaust dryer air into an enclosed and unventilated area, such as an attic, wall, ceiling, crawl space, chimney, gas vent, or concealed space of a building. To reduce the risk of fire, **DO NOT** exhaust the dryer with plastic or thin foil ducting.

Weather Hood Type	Number of 90° Elbows	Maximum length of 4" (10.2 cm) diameter rigid metal duct	Maximum length of 4" (10.2 cm) diameter flexible metal duct
<p>Recommended</p> 	0	65 feet (19.8 m)	45 feet (13.7 m)
	1	55 feet (16.8 m)	35 feet (10.7 m)
	2	47 feet (14.3 m)	30 feet (9.1 m)
	3	36 feet (11.0 m)	25 feet (7.6 m)
	4	28 feet (8.5 m)	20 feet (6.1 m)
<p>Use Only for Short Run Installations</p> 	0	55 feet (16.8 m)	35 feet (10.7 m)
	1	47 feet (14.3 m)	27 feet (8.2 m)
	2	41 feet (12.5 m)	21 feet (6.4 m)
	3	30 feet (9.1 m)	17 feet (5.2 m)
	4	22 feet (6.7 m)	15 feet (4.5 m)

NOTE : Deduct 6 feet (1.8 m) for each additional elbow.
It is not recommended to use more than 4 90° elbows.

Exhaust Requirements and Instructions:

- Venting materials are not provided with the dryer and you should obtain the necessary venting materials locally. For example, the outer end of exhaust pipe must have a weather hood with hinged dampers to prevent back-draft when the dryer is not in use.
- The exhaust duct must be four inches (10.2 cm) in diameter with no obstructions. The exhaust duct should be kept as short as possible. Make sure to clean any old ducts before installing your new dryer.
- Rigid metal duct is recommended. Do not install flexible duct in concealed spaces. Non-combustible flexible metal duct is acceptable. Do not use plastic or thin foil ducting.
- DO NOT** use sheet metal screws on exhaust pipe joints or other fastening means which extend into the duct that could catch lint and reduce the efficiency of the exhaust system. Secure all joints with duct tape.
- To maximize operating results, please observe the duct length limitations noted in the chart above.

Exhaust and Dryer Maintenance



WARNING!

Disconnect the dryer's electric power prior to any cleaning or maintenance.

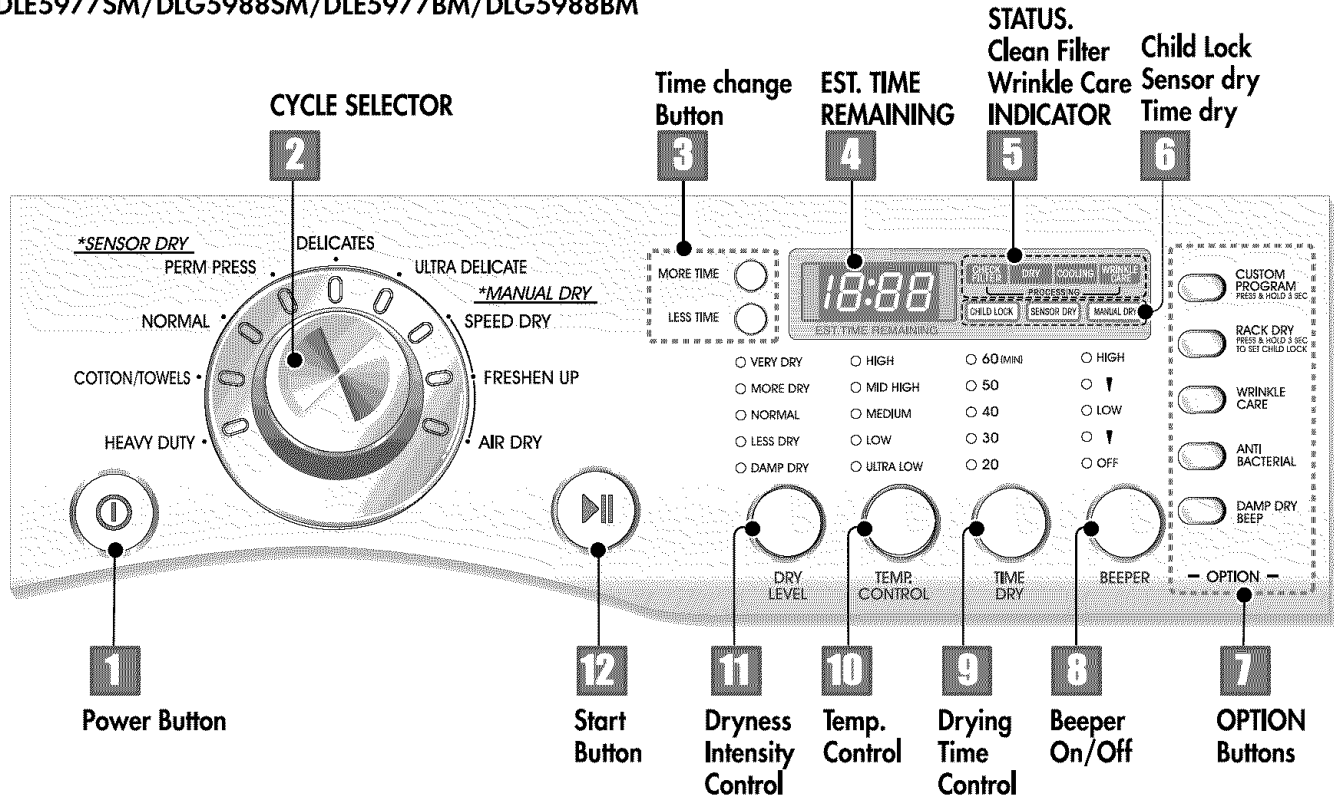
1. After one year of use, the interior and complete exhaust system of the dryer should be examined and cleaned if necessary.
2. Before one year of use, when drying performance has been suddenly unsatisfied in the past several cases, please examine and clean the exhaust duct for better drying performance.
3. Check the weather hoods frequently to ensure the dampers are moving freely, that the dampers are not pushed in and that nothing has been set against the dampers.
4. A qualified service person or company should be used to perform this maintenance.
5. A Flexible Metal Vent Kit, available at extra cost, can be used to exhaust the dryer when it is placed in hard to reach places. This Kit comes in two pieces, one of which is attached to the dryer and the other is attached to the wall exhaust outlet. Following attachment of the two separate pieces to the dryer and the wall, the dryer may be returned to its final position, after which the two pieces themselves can be connected.
7. Ordinarily, the dryer drum will need no care. Wipe the exterior of the dryer as required, and always immediately wipe the exterior of the dryer in the event any detergent, bleach, or other washing products is spilled on the dryer, because these products may cause permanent damage to the exterior finish of the dryer.
8. Clean the control panel with a damp cloth as necessary. Warning: spray pre-wash products may damage the finish of the control panel.
9. Please clean the lint filter either before drying each load or after drying each load.
10. Always make sure the lint filter is clean before starting a new load, because a clogged lint filter may increase drying times.
11. Annually remove the lint filter and attach it to the vacuum duct. See item #2 above.
12. Please note that the wiring diagram is provided inside the dryer control hood. Label all wires prior to disconnection when servicing the dryer, because wiring errors can cause serious injury to you and your dryer.

Cleaning the Lint Screen

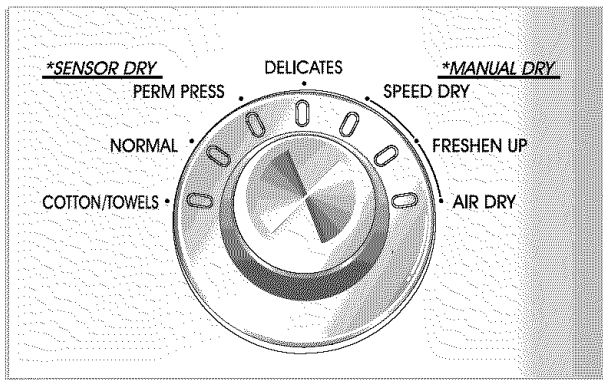
1. Clean the lint filter either before drying each load or after drying each load. Always make sure the lint filter is clean before starting a new load, because a clogged lint filter may increase drying times.
2. To clean, pull the lint screen straight up and roll any lint off the screen with your fingers. Do not rinse or wash screen to remove lint, because wet lint is hard to remove. Push the lint screen firmly back into place.
3. Always ensure the lint screen is firmly secured before running the dryer. Running the dryer with a loose lint screen may cause overheating and damage to the dryer and articles being dried.
4. Some articles of clothing may shed more lint than others (towels for example), causing the Lint Screen to rapidly fill. Remove lint from the lint screen before and after drying these articles, such as new towels.
5. In the event lint falls off of the lint screen and into the dryer during removal, inspect the exhaust hood and remove any lint.
6. Laundry detergent and fabric softener residue can build up on the lint screen, causing longer drying times. The screen is likely blocked if lint falls off the screen. In order to prevent this type of build up, and help ensure proper operation of your dryer, clean the lint screen with a nylon brush every six months or, if necessary, more frequently. The lint filter can also be washed as follows:
 - a) After rolling the lint off of the screen with your fingers, wet both sides of the screen with hot or warm water.
 - b) Wet a nylon brush with hot water and liquid detergent and scrub the lint screen with the brush to remove the buildup of detergent and fabric softener.
 - c) Repeat as necessary.
 - d) After the residue has been removed, rinse screen with hot water.
 - e) After drying the lint screen with a clean towel, firmly replace the lint screen in your dryer.

Following are instructions for starting and using your new dryer. Please refer to specific sections of this manual for more detailed information. Important Warning: To reduce the risk of fire, electric shock, or injury to person, read this entire manual, including the **Important Safety Instructions**, before operating this dryer.

DLE5977W/DLG5988W/DLE5977B/DLG5988B/DLE5977S/DLG5988S/DLE5977WM/DLG5988WM/
DLE5977SM/DLG5988SM/DLE5977BM/DLG5988BM



DLE3777W/DLG3788W



1 Power Button

- Use this button for power on or off.

! WARNING!

Explosion Hazard

Keep flammable materials and vapors, such as gasoline, away from dryer.

Do not dry anything that has ever had anything flammable on it (even after washing). Failure to follow these instructions can result in death, explosion, or fire.

! WARNING!

Fire Hazard

No washer can completely remove oil.

Do not dry anything that has ever had any type of oil on it (including cooking oils).

Items containing foam, rubber, or plastic must be dried on a clothesline or by using an Air Cycle. Failure to follow these instructions can result in death or fire.

2 Cycle Selection

- By dialing the knob, select the desired cycle based on laundry types and conditions.

1. Sensor Dry Cycles

Sensor Dry Cycles allow you to match the cycle to the load you are drying. Each cycle dries certain fabrics at the recommended temperature. A sensor detects the moisture in the load and automatically adjusts the drying time for optimal drying

Heavy Duty

Use this cycle to get high heat for heavy fabrics such as jeans, corduroys or work clothes

Cotton/Towels

Use for drying denims, towels, heavy cottons (medium-high heat)

Normal

Use for drying sturdy fabrics such as work casual clothes (medium heat)

Perm press

Use for permanent press and synthetic items (medium-heat)

Delicates

Use for drying synthetic fabrics, washable knit fabrics and no-iron finishes (low heat)

Ultra Delicate

Use to gently dry items such as workout wear, shear and lace items (extremely low heat)

Sensor Dry Preset Cycle Settings		
Sensor Dry Cycles Load Type	Temp.	Time* (Minutes)
HEAVY DUTY Jeans, heavyweight	High	54
COTTON/TOWELS Towel, denim pants	Medium High	55
NORMAL Work clothes, corduroys	Medium	41
PERM PRESS Synthetics, permanent press	Low	36
DELICATES Lingerie, sheets, blouses	Low	32
ULTRA DELICATE Shear, workout wear and lace items	Ultra Low	34

2. Manual Dry Cycles

Use Manual Cycles to select a specific amount of drying time and a drying temperature. When a Manual Cycle is selected, the ESTIMATED TIME REMAINING display shows the actual time remaining in your cycle. You can change the actual time in the cycle by pressing MORE TIME or LESS TIME.

Speed Dry

Use for small loads or loads that need a short drying time.

Freshen Up

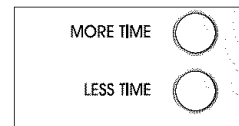
Use this cycle to remove wrinkles from items, such as clothes packed in a suitcase or items wrinkled from being left in the dryer too long.

Air Dry

Use the Air Dry Modifier for items that require drying without heat such as rubber, plastic and heat-sensitive fabrics.

3 Time Change Button

- Press MORE TIME or LESS TIME until the desired drying time is set.



Note

Time change button is available only with Manual Dry, Time Dry and Rack Dry programs.

4 Estimated Time Remaining

- The Display shows the estimated time remaining. In addition to this, if the dryer has some problem, it displays error messages.



5 Status/Clean Filter/Wrinkle Care Indicator

- It shows status of drying operation.



When Wrinkle Care is selected, this option light will glow. When power is on, Clean Filter flashes until start/pause is selected.

⚠ WARNING!

For better drying performance and safety, clean lint filter every single use.

6 Child Lock / Sensor Dry / Time Dry



1. Child Lock

Child Lock can be used to prevent your children from undesirable use on control panel while the dryer is running.

When Child Lock is enabled, all the button will be locked and Child Lock glows.

To lock Child Lock, Press and hold Rack Dry for 3 seconds, A single beep tone is heard and CL is displayed on the status window.

To unlock Child Lock, press and hold Rack Dry for 3 seconds again.

2. Sensor Dry / Time Dry

Each will glow if program is selected.

7 Option Buttons

1. CUSTOM PROGRAM.

Custom Programming Set up your favorite combination



of settings and save them here for one-touch recall.

1. Select a cycle
2. Change DRY LEVEL and TEMP. CONTROL.
3. Select OPTIONS you want.
4. Press and hold the CUSTOM PROGRAM.

To recall your stored CUSTOM PROGRAM
Press CUSTOM PROGRAM button, then press START/PAUSE.

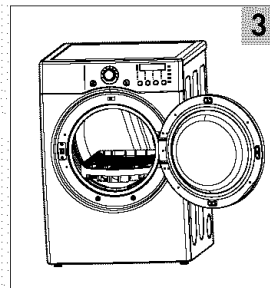
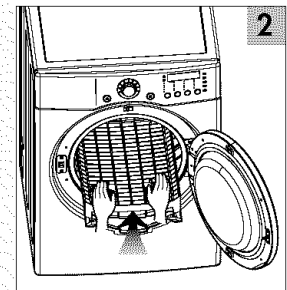
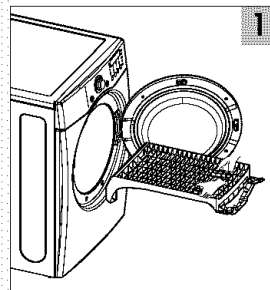
2. Rack Dry

Rack Dry is designed for use with items which are not available for tumble drying such as sweaters, silk or lingerie.



Sneakers also will be great with this option.

■ To use the RACK DRY



1. Open the door. Hold the dryer rack with both hands.
2. Put the dryer rack into the drum
3. Make sure Dryer RACK is evenly spaced right onto the drum inside and door rim.

Note

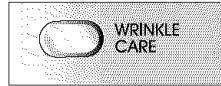
Don't use Rack for normal tumble drying. Rack Dry is shipped in place in your dryer so remove rack for normal laundry.

Suggested Items for Rack Drying	Temperature Setting	Suggested Time* (Minutes)
Washable wool items	Low	20
Stuffed toys with cotton or polyester fiber filling	Low/Ultra Low	20/30
Stuffed toys, foam rubber filled.	Air Dry/ Ultra Low	50/30
Foam rubber pillows	Air Dry	50
Athletic shoes	Air Dry	20

* Reset time as needed to complete drying.

3. Wrinkle Care

This option helps to prevent the wrinkle on your laundry.



When you select the wrinkle free option, the dryer will periodically tumble for up to three hours after the cycle has completed.

You can use this option in case that you can not remove laundry after drying is done.

4. Anti Bacterial

This option reduces bacteria under high temperature during the cycle. This option can only be used with the Heavy Duty, Cotton/Towels and Normal cycles.



Note

Do not use this cycle with delicate fabrics.

5. Damp Dry Beep

When you select the damp dry beep option, a beep will alert you when your load is approximately 80% dry.

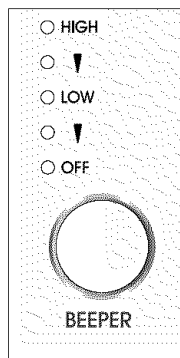


This notice will allow you to remove lightweight items that are dry or other items that you may wish to iron.

8 Beeper

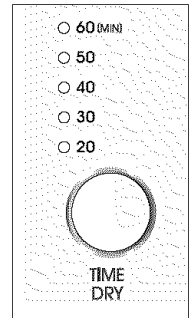
The BEEPER controls the volume of the beep that is made when you press any of the buttons on the control panel and the termination of any cycle is indicated.

Press BEEPER to adjust the sound level or turn off the signal.



9 Time Dry

Use Time Dry Option to change Drying Time on your own. You can select the desired operation time manually by pressing Time Dry button which ranges from 20 to 60 minutes.

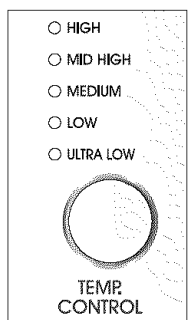


Manual Preset Cycle Settings

Manual Dry Cycles Load Type	Temp.	Default Time* (Minutes)
SPEED DRY SMALL LOADS	High	25
FRESHEN UP Remove Wrinkles	Medium High	20
AIR DRY	Air Dry	30

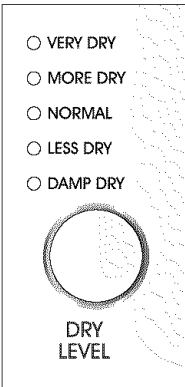
10 Temp Control

Use Time Control Option to select temperatures for the Manual Cycles. Press TEMP. CONTROL until the desired temperature setting glows. Temperature modifiers cannot be used with the Sensor Dry Cycles.



Type of Load	Default Time* (Minutes)
Foam rubber-pillows, padded bras, stuffed toys	20 - 30
Plastic-Shower curtains, tableclothes	20 - 30
Rubber-backed rugs	40 - 50
Olefin, polypropylene, shear nylon	10 - 20

11 Dry Level



- Use this button to set dry level
- First, select sensor dry cycle.
- Select dry level to adjust how much you want to dry the load. As the cycle runs, the control senses the dryness of the load and adjusts the time automatically based on the selected dryness level.

Note

DRY LEVEL selections can only be made while using Sensor Dry Cycles. Selecting MORE Dry or LESS Dry automatically adjusts the needed time which is already sensed.

Starting your dryer

1. Before use

- Clean lint screen before or after each cycle.
- Place laundry into dryer and shut door. See Loading.
- Turn the knob to select the drying cycle you want. The preset setting for Sensor Dry Cycles or Manual Cycles will glow. The estimated or actual cycle time (in minutes) will show in the display.

2. Loading

- Determine load size by the amount of space the load requires rather than the weight of the load.
- Avoid overloading the dryer. Following these instruction can help reduce your utility bill, prolong the life of your clothes, and decrease the likelihood of uneven drying and wrinkle.

3. To use a sensor dry cycle

- **Select DRY LEVEL** to adjust how dry you want the load. As the cycle runs, the control senses the dryness of the load and adjusts the time automatically for the selected dryness level.
- **Select** the desired Options.
- **Press START/PAUSE**

Note

DRY LEVEL selections can only be made while using Sensor Dry Cycles. Selecting MORE Dry or LESS Dry automatically adjusts the sensed time needed.

Following are sample loads for Super Capacity Dryers:	
Heavy Work Clothes 4 jeans 4 workpants 4 work shirts	2 sweatpants 2 sweatshirts
Cotton/Towels 10 bath towels 10 hand towels	14 wash cloths
Mixed Load 3 sheets (1 king, 2 twin) 4 pillowcases 3 shirts 3 blouses	9 T-shirts 9 shorts 10 handkerchiefs

4. To use a sensor dry cycle

- Select a Manual Dry Cycle.
- Press MORE TIME or LESS TIME until the desired drying time is displayed. Tap MORE TIME or LESS TIME and the time will change by 1 minute interval.

Note

The MORE TIME or LESS TIME feature can be used with Manual Dry, Time Dry and Rack Dry Cycles.

- Press TEMP. CONTROL until the desired temperature indicator glows.
- (OPTIONAL STEP) If desired, select OPTIONS. For more details, see Options.
- Press START/PAUSE. Be sure the door is closed.
- If you do not press START/PAUSE within 10 minutes of selecting the cycle, the dryer automatically shuts off.
- If you wish to end your drying cycle after pressing START/PAUSE, press START/PAUSE again.

To stop your dryer at any time

Press START/PAUSE or open the door.

5. Pausing or restarting To pause the dryer at any time

Open the door or press START/PAUSE once.

To restart the dryer

Close the door. Press START/PAUSE.

Note

Drying will continue from where the cycle was interrupted if you close the door and press START within 10 minutes. If the cycle is interrupted for more than 10 minutes, the dryer will shut off. Select new cycle settings before restarting the dryer.

▲ WARNING!

Improper wire connection or related wiring error will can cause fire or electric shock or death.

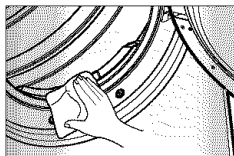
Maintenance

Clean lint filter

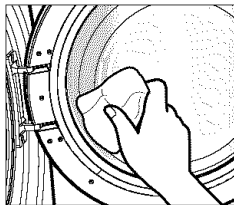
Clean the lint filter after each use and check it before use. Not cleaning or emptying the filter will increase drying time and energy consumption, therefore dryer life expectancy could be shortened after all.

■ Clean the door and its opening

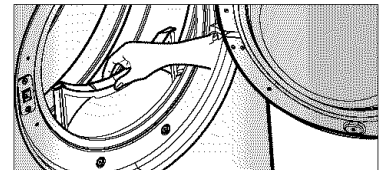
1. Wipe out the door opening. Otherwise, build-ups of dirty and foreign objects will damage sealing of door.



2. Clean the transparent glass door to keep inside view clear through the glass.

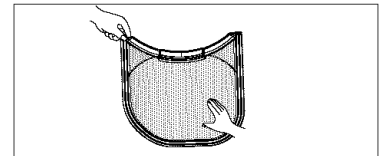


1. Open the door and pull the filter straight up

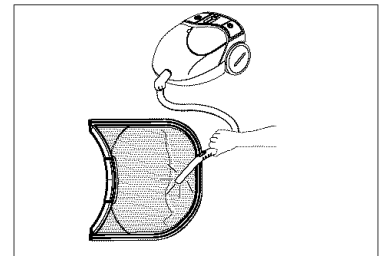


2. Clean the filter using one of following ways in cases.

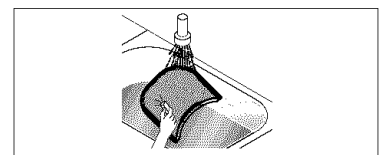
- ① Run the fingers across the filter



- ② Vacuum the lint filter



- ③ Wash the lint screen in warm, soapy water. Dry thoroughly and replace.



Troubleshooting Tips

Save time and money! Review the charts on the following pages first and you may not need to call for service.

1.Problem:My Dryer Won 't Start

Question	What to Do
• Is the dryer plugged in?	Confirm that the dryer's plug is securely and completely pushed into the laundry room's power outlet
• Is the fuse blown, or is the circuit breaker tripped?	Check your home's or laundry room's fuse box/circuit breaker box and replace the fuse or reset the circuit breaker. (IMPORTANT: electric dryers generally use two fuses or breakers.)

2.Problem:My Dryer Doesn 't Heat

Question	What to Do
• Is the fuse blown, or is the circuit breaker tripped?	If the fuse is blown or the circuit breaker tripped, the dryer might tumble but not heat. Check your home's or laundry room's fuse box / circuit breaker box and replace the fuse or reset the circuit breaker. (IMPORTANT: electric dryers generally use two fuses or breakers.)
• Is the gas supply or service blocked or off?	Confirm that the house gas shutoff and the dryer gas shutoff are both fully open.

3.Problem:There are Greasy Spots on My Clothes

Question	What to Do
• Did you follow the instructions on your fabric softener product?	Confirm and follow the instructions provided with your fabric softener product.
• Are you drying clean and dirty clothes together?	Make sure to use your dryer to dry only clean items, because dirty items can soil clean clothes placed in the same load or later placed in the dryer drum.
• Were your clothes entirely clean?	Stains on dried clothes are actually stains that weren't cleansed during the washing process. Please review and confirm that you are following your washing instructions and that the clothes are being completely cleaned.

4.Problem:There is Lint on my Clothes

Question	What to Do
• Is your lint filter full?	Please refer to the manual section on cleaning the lint filter, and please confirm that the lint filter is clean. It is important that the lint filter is clean before each new load of laundry.
• Did you properly sort your load of laundry?	In order to reduce the amount of lint in a load of laundry, sort lint producers (like a fuzzy white cotton towel) separately from clothes that might catch lint (such as a pair of black linen pants).
• Do your clothes have excess static electricity?	See comments below under There is static in my clothes after drying.
• Did you overload your dryer?	Divide your larger load into smaller loads.
• Did you place any paper, tissue, or other similar material in the load?	Sometimes a person might forget to take a piece of paper or a tissue out of the pocket of a pair of pants, and this paper, tissue, or similar material can cause excess lint in a load of laundry. Confirm that the pockets of pants, shirts, and other articles of clothing are empty before washing and drying.

5.Problem:There is static in my clothes after drying

Question	What to Do
• Did you use fabric softener?	Try using a fabric softener to reduce static electricity.
• Did you over dry the load of laundry?	Over-drying a load of laundry can cause a build up of static electricity. Try using a fabric softener or adjust your settings and use a shorter drying time.
• Are you drying synthetic, permanent press and blends?	These materials can cause static to build up in a load of dried clothes. Try using a fabric softener.

6.Problem:The drying time is not consistent

Question	What to Do
• Are you using consistent heat settings and consistent load sizes?	The drying time for a load will vary depending on the heat setting, the type of heat used (electric, natural or LP gas), the size of the load, the type of fabrics, the wetness of the clothes and the condition of the exhaust ducts and lint filer.

7.Problem:It takes too long for my clothes to dry

Question	What to Do
• Did you properly sort your loads of laundry?	Separate heavy weight items from light weight items when creating loads.
• Are you drying large loads of heavy fabrics?	Heavy fabrics take longer to dry because they tend to retain more moisture. To help reduce and maintain more consistent drying times for large and heavy fabrics, separate these items into smaller loads of a consistent size.
• Are the dryer controls properly set?	Use the appropriate control settings for the type of load you are drying.
• Is the lint filter clean before each new load of laundry?	Please confirm that the lint filter is clean prior to each new load of laundry.
• Are the exhaust ducts clear and properly configured?	Confirm through review of the appropriate sections of this manual that the exhaust venting ductwork is properly configured. Confirm that the venting is free of obstructions. Confirm that the outside wall dampers are moving freely, that the dampers are not pushed in, and that nothing has been set against the dampers.
• Is the fuse blown, or is the circuit breaker tripped?	Check your home's or laundry room's fuse box/circuit breaker box and replace the fuse or reset the circuit breaker. (IMPORTANT: electric dryers generally use two fuses or breakers.)
• Did you overload your dryer?	Divide your larger load into a number of smaller loads.
• Did you under load your dryer?	If you are only drying a handful of items, add a few extra pieces to help ensure proper tumbling action.

8.Problem:My clothes are wrinkled

Question	What to Do
• Are you over drying your laundry?	Over drying a load of laundry can lead to wrinkled clothes. Try a shorter drying time, and remove items while they still retain a slight amount of moisture.
• Are you removing your laundry from the dryer soon after the drying cycle is complete?	Remove your laundry from the dryer after the drying cycle ends and either hang or fold the items.

9.Problem:My clothes are shrinking

Question	What to Do
• Are you following the care instructions for your garment?	To avoid shrinkage, please carefully follow the care and use instructions for your garment, because some fabrics will naturally shrink when washed. Other fabrics can be washed but will shrink when dried in a dryer.
• PLM problem	See the Owner's Manual of RLM & PLC modem.

LG DRYER LIMITED WARRANTY – CANADA

LG Electronics Inc. will repair or at its option replace, without charge, your product if it proves to be defective in material or workmanship under normal use during the warranty period set forth below, effective from the date of original consumer purchase of the product. This limited warranty is good only to the original purchaser of the product and effective only when used in the United States including Alaska, Hawaii, and U.S. Territories.

<p><u>WARRANTY PERIOD:</u></p> <p>Labor: 2 Year from the Date of Purchase. All Parts: 2 Year from the Date of Purchase. Motor, Controller : 3 Year from the Date of Purchase. Drum Tub : 5 Years from the Date of Purchase.</p>	<p><u>HOW SERVICE IS HANDLED:</u></p> <p>Call 1-888-542-2623 (1-888-LG-CANADA) and choose the appropriate prompt. Please have product type (Dryer), model number, serial number, and ZIP code ready.</p> <p>The warranted 2-year of labor covers the cost of In-Home Service on all parts including the Drum Tub and Motor.</p>
---	--

THIS WARRANTY IS IN LIEU OF ANY OTHER WARRANTIES, EXPRESS OR IMPLIED, INCLUDING WITHOUT LIMITATION, ANY WARRANTY OF MERCHANTABILITY OR FITNESS FOR A PARTICULAR PURPOSE. TO THE EXTENT ANY IMPLIED WARRANTY IS REQUIRED BY LAW, IT IS LIMITED IN DURATION TO THE EXPRESS WARRANTY PERIOD ABOVE. LG WILL NOT BE LIABLE FOR ANY CONSEQUENTIAL, INDIRECT, OR INCIDENTAL DAMAGES OF ANY KIND, INCLUDING LOST REVENUES OR PROFITS, IN CONNECTION WITH THE PRODUCT. SOME STATES DO NOT ALLOW LIMITATION ON HOW LONG AN IMPLIED WARRANTY LASTS OR THE EXCLUSION OF INCIDENTAL OR CONSEQUENTIAL DAMAGES, SO THE ABOVE LIMITATIONS OR EXCLUSIONS MAY NOT APPLY TO YOU.

THIS LIMITED WARRANTY DOES NOT APPLY TO:

1. Service trips to your home to deliver, pick up, and/or install the product, instruct, or replace house fuses or correct wiring, or correction of unauthorized repairs; and
2. Damages or operating problems that result from misuse, abuse, operation outside environmental specifications or contrary to the requirements or precautions in the Operating Guide, accident, vermin, fire, flood, improper installation, acts of God, unauthorized modification or alteration, incorrect electrical current or voltage, or commercial use, or use for other than intended purpose.
3. Therefore, the cost of repair or replacement of such a defective product shall be borne by the consumer.

CUSTOMER INTER-ACTIVE CENTER NUMBERS:

<p>To Prove Warranty Coverage</p>	<p>Retain your Sales Receipt to prove date of purchase. A copy of your Sales Receipt must be submitted at the time warranty service is provided.</p>
<p>To Obtain Nearest Authorized Service Center or Sales Dealer, or to Obtain Product, Customer, or Service Assistance</p>	<p>Call 1-888-542-2623 (1-888-LG-CANADA) (Monday ~ Friday, 7 AM ~ 8 PM CT; and Saturday, 8 AM ~ 5 PM CT) and choose the appropriate prompt from the menu, and have your product type (Dryer), model number, serial number, and ZIP Code; or visit our website at Http://www.lg.ca</p>



☎ 1-888-LGCANADA
POUR SERVICE À LA CLIENTÈLE DE LG

Guide du propriétaire

Sécheuse gaz et électrique

DLE5977W / DLG5988W
DLE5977B / DLG5988B
DLE3777W / DLG3788W
DLE5977S / DLG5988S
DLE5977WM / DLG5988WM
DLE5977SM / DLG5988SM
DLE5977BM / DLG5988BM

Merci d'avoir acheté une sécheuse LG. Lire attentivement ce guide car il fournit des instructions pour une installation sécuritaire, et l'utilisation et l'entretien.

Noter les numéros de modèle et de série et conserver à des fins de références.

Pour plus de détails, visiter notre site web au <http://us.lge.com>

website : <http://www.lg.ca>

e-mail : <http://www.LGService.com/techsup.html>

CARACTÉRISTIQUES DU PRODUIT

1

RENDEMENT SANS PAREIL

Sans compter la grande capacité inégalée. Excellent avantage d'une bonne efficacité, fonctionnement silencieux et économie d'énergie

2

TAMBOUR EN ACIER INOXYDABLE

Le tambour en acier inoxydable ne rouille pas. Par conséquent, les vêtements ne se salissent pas.

3

DESIGN ARTISTIQUE

Panneau devant à l'allure moderne et grande porte en verre clair pour un style s'assortissant à tout décor.

4

ENTRETIEN NUMÉRIQUE

Chauffe-eau à contrôle de température à niveau multiple facilitant l'entretien des vêtements.

5

FACILITÉ À UTILISER

Une vaste gamme de fonctions conviviales facilitant le fonctionnement de la sècheuse

6

UTILISATION DU MONITEUR À DISTANCE (DLE5977WM, DLG5988WM, DLE5977SM, DLG5988SM, DLE5977BM, DLG5988BM)

Les moniteurs à distance donnent l'état de la laveuse et/ou de la sècheuse. L'on peut brancher l'affichage sur toute prise de la résidence. Le moniteur à distance peut être acheté séparément pour cette laveuse.

Qu'est-ce que le séchage par capteur et le séchage minuté ?

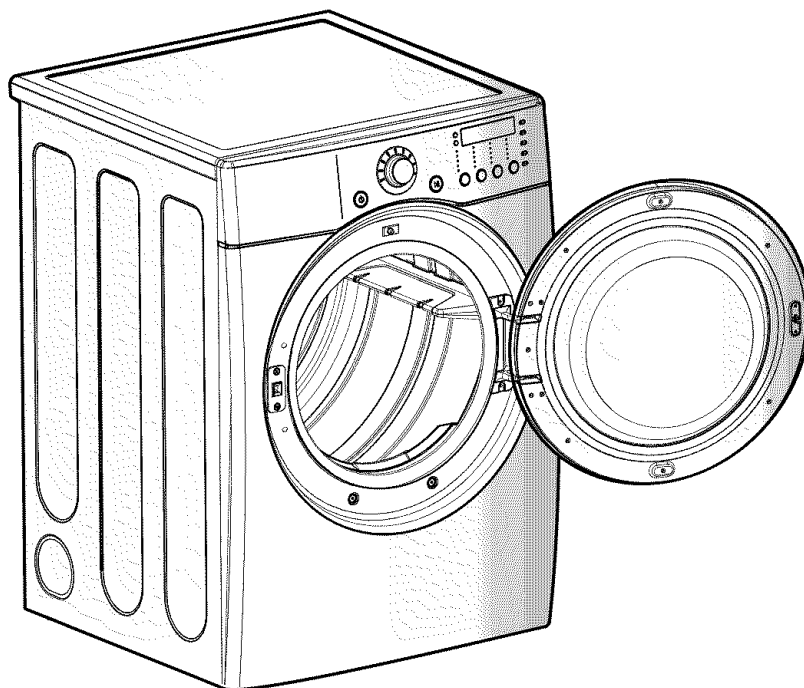
La sècheuse est dotée de programmes de séchage par capteur et un séchage minuté.

Séchage par capteur : la sècheuse détecte électroniquement l'humidité de la lessive et détermine automatiquement la durée de fonctionnement en fonction du taux de séchage de la charge et du programme sélectionné. Il est possible de voir une augmentation ou une diminution de la durée de fonctionnement. Cela se produit parce que le capteur détecte le taux d'humidité avec une certaine période. Un changement soudain de la durée n'est pas un mauvais fonctionnement.

Séchage minuté : permet de régler la durée de fonctionnement manuellement pour compléter le séchage. Ou utiliser pour un meilleur séchage s'il reste encore de l'humidité une fois le cycle de séchage par capteur terminé. Le séchage minuté est plus efficace pour les vêtements lourds ou gros comme des draps très grands lits ou des vêtements de travail.

TABLE DES MATIÈRES

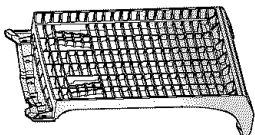
PARTIE 1. SPÉCIFICATIONS	3
PARTIE 2. INSTRUCTIONS DE GARANTIE ET DE SÉCURITÉ IMPORTANTES	4-6
PARTIE 3. ÉTAPES INITIALES POUR L'INSTALLATION DE LA SÈCHEUSE.....	7-12
PARTIE 4. INSTALLATION D'ACCESSOIRES.....	13-14
PARTIE 5. EXIGENCES ÉLECTRIQUES POUR SÈCHEUSES ÉLECTRIQUES	15
PARTIE 6. EXIGENCES ÉLECTRIQUES DE LA SÈCHEUSE À GAZ.....	16
PARTIE 7. EXIGENCES EN GAZ ET INSTRUCTIONS	17
PARTIE 8. EXIGENCES D'ÉCHAPPEMENT ET ENTRETIEN.....	18-19
PARTIE 9. FONCTIONNEMENT DE LA SÈCHEUSE	20-25
PARTIE 10. GUIDE DE DÉPANNAGE.....	26-28
GARANTIE LIMITÉE DE LA SÈCHEUSE LG.....	29



- Nom : sècheuse électrique et à gaz
- Alimentation : Consulter la plaque signalétique concernant l'information détaillée
- Dimensions : 27 x 29.9 x 38.7(inch)
- Capacité : IEC 7,3 pi cu (22.5 lb)
- Poids : 126 lbs (57.2 kg)

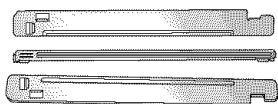
Les données techniques sont sujettes à des changements par le fabricant

■ ACCESSOIRES



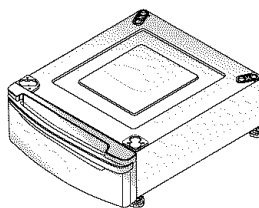
1 support de sècheuse

Voir page 24 sur la façon d'utiliser.



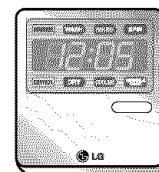
Nécessaire à empiler o acheté séparément

Voir page 13 sur la façon d'utiliser.



Base o acheté séparément

Voir page 14 sur la façon d'utiliser.



Moniteur de lessive à distance
À acheter séparément

(DLE5977WM, DLG5988WM, DLE5977SM, DLG5988SM, DLE5977BM, DLG5988BM)

ASSISTANCE GARANTIE

La garantie de la sècheuse est à la fin de ce guide. Le service sous garantie est disponible en communiquant avec le centre de service LG. Si ce produit est installé et utilisé selon les instructions de ce guide, LG réparera ou remplacera toute pièce présentant un défaut de fabrication ou de matériaux pendant la période de garantie en vigueur à la date d'achat.

⚠ AVERTISSEMENT

Pour la sécurité, les recommandations dans ce guide doivent être suivies. Pour réduire le risque d'incendie ou de choc électrique, ou d'explosion ou pour éviter tout dommage à la propriété, des blessures ou la mort en utilisant cet appareil, suivre les précautions de base incluant ce qui suit.

Restriction de garantie : Si la sècheuse est sujette à autre utilisation qu'une utilisation domestique, toute couverture de garantie est en vigueur pendant 90 jours seulement.

Il faut les numéros de modèle et de série pour obtenir un service sous garantie. La preuve d'achat est requise.

Utiliser l'espace ci-dessous pour noter les numéros de modèle et de série.

N° de modèle _____

N° de série _____

Date d'achat _____

* Agrafer la facture ICI.

INSTRUCTIONS DE SÉCURITÉ IMPORTANTES

⚠ AVERTISSEMENT

Pour réduire le risque d'incendie, de choc électrique ou de blessure au moment d'utiliser cet appareil, suivre les précautions de base et ce qui suit :

1. Lire toutes les instructions avant d'utiliser l'appareil.
2. Ne pas sécher des articles qui sont entrés en contact avec de l'essence, des solvants de nettoyage à sec ou autres substances inflammables ou explosives, car ils rejettent des vapeurs pouvant s'enflammer ou exploser.
3. Ne pas laisser les enfants jouer sur ou dans l'appareil. Une supervision rapprochée des enfants est nécessaire lorsque l'appareil est utilisé s'il y a des enfants à proximité.
4. Avant d'enlever l'appareil pour le service ou les rebuts, retirer la porte du compartiment de séchage.
5. Ne pas aller dans l'appareil pendant que le tambour fonctionne.
6. Ne pas installer ou ranger cet appareil dans un endroit où il sera exposé aux intempéries.
7. Ne pas jouer avec les contrôles.
8. Ne pas réparer ni remplacer des pièces de l'appareil ou tenter d'effectuer le service à moins de recommandations spécifiques données dans les instructions d'entretien de l'utilisateur.
9. Ne pas utiliser de chaleur pour sécher des matériaux contenant des produits comme de la mousse, du caoutchouc, etc.
10. Nettoyer le filtre à charpie avant et après chaque charge.
11. La zone autour de l'orifice d'échappement et environnante doit être libre. Il ne doit pas y avoir d'accumulation de charpie, de poussière et de saleté.
12. L'intérieur de l'appareil et le conduit d'échappement doivent être nettoyés périodiquement par un technicien qualifié.
13. Ne pas placer d'articles exposés à l'huile de cuisson dans la sècheuse. Ces articles peuvent contribuer à une réaction chimique pouvant causer un incendie.
14. Ne pas utiliser d'assouplissant ou autres produits pour éliminer la statique sauf si recommandé par le fabricant de ces produits.

CONSERVER CES INSTRUCTIONS**INSTRUCTIONS DE MISE À LA TERRE**

Cet appareil doit être mis à la terre. Dans le cas d'un mauvais fonctionnement ou d'un bris, la mise à la terre réduit le risque de choc électrique en fournissant un chemin de moindre résistance au courant électrique. Cet appareil est doté d'un cordon ayant un connecteur mis à la terre et d'une fiche mise à la terre. La fiche doit être branchée sur une prise appropriée installée et mise à la terre conformément aux codes locaux et aux règlements.

AVERTISSEMENT – Une connexion inappropriée du connecteur de mise à la terre peut causer un risque de choc électrique. Vérifier auprès d'un électricien qualifié ou d'un représentant de service en cas de doute sur la mise à la terre adéquate de l'appareil.

Ne pas modifier la fiche fournie avec l'appareil; si elle ne s'insère pas dans la prise, faire installer une prise appropriée par un électricien qualifié.

QUOI FAIRE S'IL Y A UNE ODEUR DE GAZ :

- Ne pas essayer d'allumer une allumette ou une cigarette, de mettre en circuit un appareil électrique ou à gaz.
- Ne pas toucher aux interrupteurs électriques. NE pas utiliser le téléphone dans l'édifice.
- Faire sortir toute personne de la pièce, de l'édifice ou de la zone.
- Immédiatement téléphoner au fournisseur de gaz chez un voisin. Suivre les instructions du fournisseur de gaz.
- S'il est impossible de communiquer avec le fournisseur de gaz, téléphoner au service des incendies.

AVERTISSEMENT

Pour réduire le risque d'incendie, d'explosion, de choc électrique, de dommages à la propriété, de blessures ou de mort au moment d'utiliser cet appareil, suivre toutes les informations et les instructions, incluant celles de ce guide et celles fournies par le fournisseur de gaz, incluant ce qui suit :

- Ne pas ranger ni utiliser d'essence, de solvant ou tout autre vapeur ou liquide inflammable à proximité de cet appareil.
- Ne pas sécher des articles qui sont entrés en contact avec des substances inflammables, même après les avoir lavés.
- Aucune laveuse ne peut enlever entièrement l'huile. NE pas sécher d'articles qui ont été en contact avec de l'huile de toute sorte, incluant l'huile à cuisson.
- Les articles contenant de la mousse, du caoutchouc, plastique ou matériaux semblables doivent être séchés sur une corde à linge ou en utilisant un cycle à air.
- Si ces instructions ne sont pas suivies, il peut en résulter un incendie, des blessures ou la mort.
- Un technicien qualifié ou une compagnie doit effectuer l'installation et le service de cet appareil.

AVERTISSEMENT

- Éloigner les matériaux ou vapeurs inflammables, comme de l'essence, de la sècheuse.
- Placer la sècheuse à au moins 18 po au-dessus du plancher pour une installation dans un garage.
- Si cela n'est pas suivi, il peut en résulter la mort, une explosion ou un incendie.

Loi de Californie pour une alimentation en eau sécuritaire et sur la toxicité

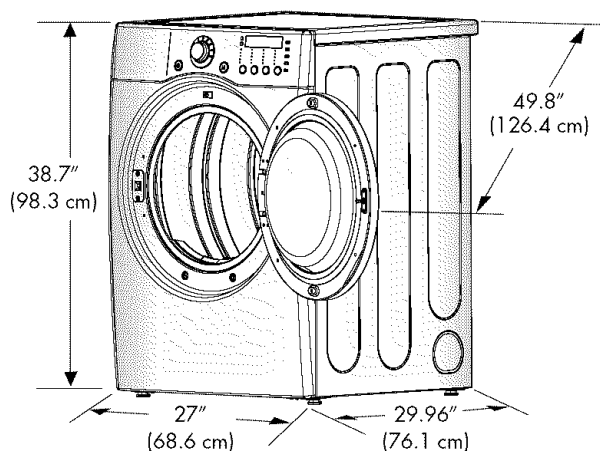
Cette loi requiert que le gouverneur de la Californie publie une liste des substances connues comme pouvant causer le cancer, anomalies congénitales ou autres problèmes reliés à la reproduction et requiert que les places d'affaires avisent les clients d'une exposition potentielle à de telles substances. Les appareils à gaz peuvent causer une exposition mineure à quatre de ces substances, principalement le benzène, le monoxyde de carbone, le formaldéhyde et la suie, causées principalement par une combustion incomplète du gaz naturel ou des combustibles LP. Les sècheuses adéquatement réglées minimiseront la combustion. L'exposition à ces substances peut être encore minimisée en assurant une ventilation adéquate de la sècheuse vers l'extérieur.

Les instructions suivantes aident à travers les étapes initiales pour régler la sècheuse. Il est à noter que chaque section de ce guide fournit des informations importantes concernant la préparation et l'utilisation de l'appareil et il est important de revoir tout le guide avant de procéder à l'installation ou à l'utilisation. Des instructions détaillées concernant les connexions électriques, de gaz et les exigences d'échappement sont données dans d'autres sections.

ÉTAPE 1 Positionnement de la sècheuse

Choisir un emplacement ayant un plancher solide pour la sècheuse. La placer à 18 po au-dessus du plancher si l'installation est effectuée dans un garage. Après avoir placé la sècheuse à l'endroit désiré, s'assurer que les dégagements recommandés sont respectés, comme ci-dessous. et à la rubrique Échappement et entretien.

Si l'on installe l'appareil dans une maison mobile, consulter l'étape 9 ci-dessous pour plus de détails.



* La plupart des installations requièrent un minimum de 5 1/2 po (14 cm) de dégagement derrière la sècheuse pour l'évent d'échappement avec coude.

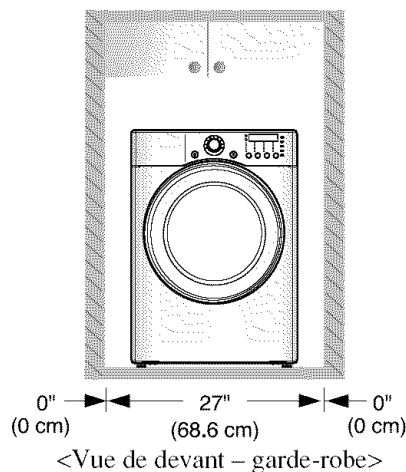
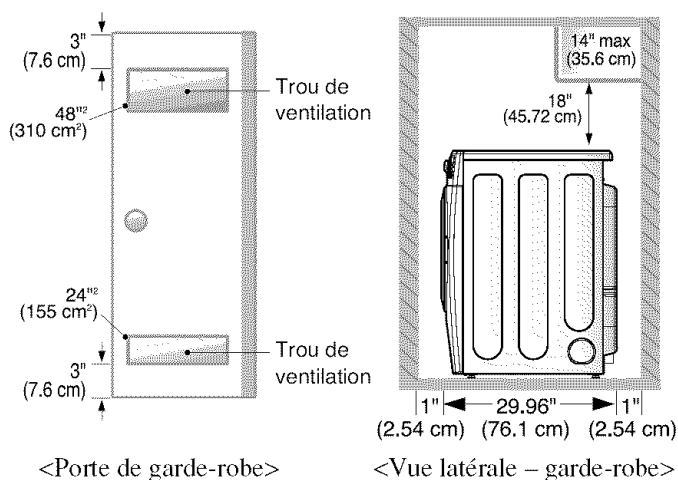
Remarque

Les pieds niveleurs doivent être bien en place. Les quatre pieds doivent être placés de façon stable sur un plancher uni et robuste. Si la sècheuse n'est pas de niveau, la lessive ne pourra pas culbuter adéquatement et le capteur ne pourra détecter avec précision le taux d'humidité. Au moment de régler les pieds, faire attention à ne pas se blesser aux doigts ou aux orteils.

Certains dégagements minimum sont requis au dessus, à l'arrière et sur les côtés de l'appareil, comme illustré.

Ce dégagement minimum requis est donné dans l'illustration ci-dessous. Conserver ces instructions pour l'installation dans une garde-robe ou un endroit en retrait.

- Considérer un dégagement additionnel pour l'installation et le service.
- Moulures de mur, de porte, de plancher peuvent nécessiter des dégagements additionnels.
- Un dégagement additionnel de 1 po est recommandé pour minimiser le transfert de bruit.
- Considérer l'espace nécessaire pour un appareil complémentaire.
- Pour installation dans un placard, l'illustration ci-dessous montre les ouvertures de ventilation requises minimales pour la porte. Une porte persienne avec des ouvertures de ventilation comparables est aussi acceptable.



Une fois en position, régler les pieds niveleurs de la sècheuse jusqu'à ce que l'appareil soit de niveau d'un côté à l'autre et de devant à derrière. Les pieds niveleurs doivent reposer fermement au sol et la sècheuse ne doit pas basculer. L'inclinaison maximale sous toute la sècheuse ne doit pas excéder 2,5 cm (1 po). Si l'appareil n'est pas de niveau et si l'inclinaison excède 1,5 cm (1 po), les vêtements peuvent ne pas sécher adéquatement et les capteurs de cycle peuvent ne pas fonctionner de façon appropriée. Remarque : D'autres sections dans ce guide donnent des informations importantes concernant l'emplacement et les dégagements. Revoir ces sections avant de procéder à l'installation.

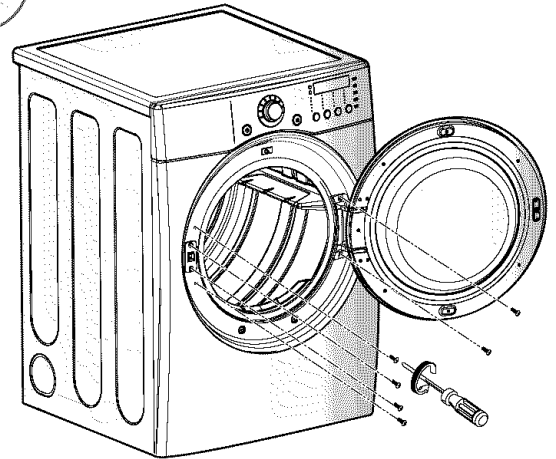
Étape 2 Inversion de la porte

La porte peut être placée pour ouvrir à gauche ou à droite. Suivre ces étapes pour inverser la porte.

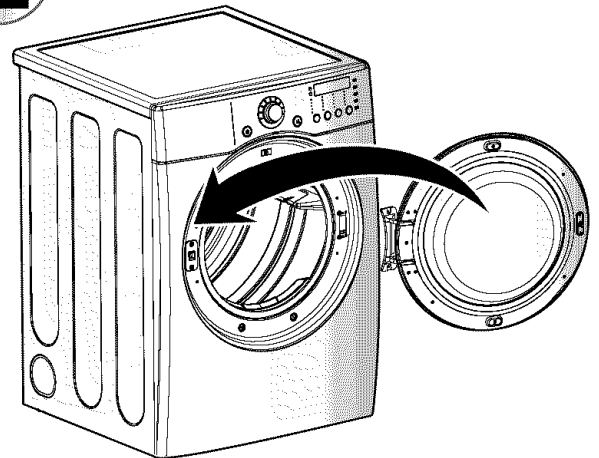
Remarque

La porte et le loquet doivent être alignés au centre lorsque fermés. Autrement, la porte est mal fermée.

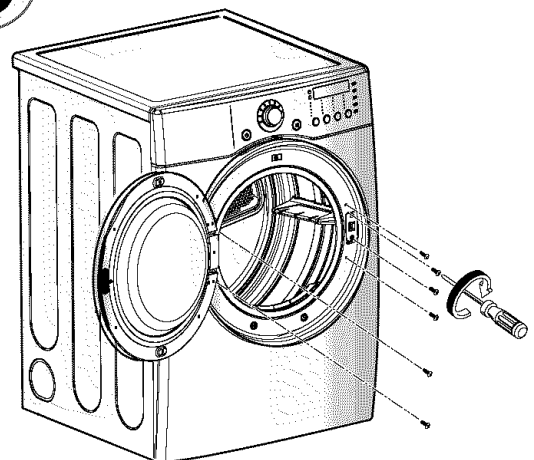
1



2



3



Étape 3 Connexion du système d'évent et d'échappement

⚠ AVERTISSEMENT

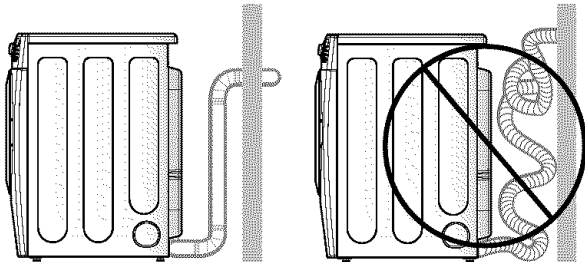
- Utiliser un évent en métal robuste.
- Ne pas utiliser d'évent en plastique.
- Ne pas utiliser d'évent en aluminium métallisé.
- Si ces instructions ne sont pas observées cela peut causer un incendie ou la mort.
- Nettoyer les anciens conduits avant l'installation de la sècheuse.

Remarque

L'extrémité de l'évent fait face à l'extérieur de la résidence. Une étanchéité inadéquate et une installation instable de l'évent nuiront au rendement de séchage.

En plus d'observer les avertissements suivants, consulter la section concernant l'échappement et l'entretien.

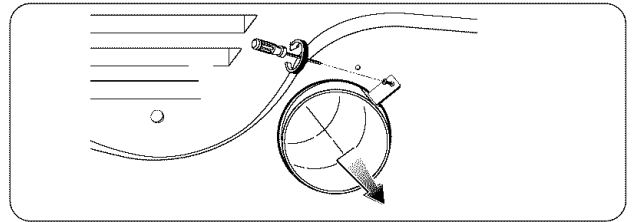
IMPORTANT : Pour réduire le risque d'incendie, de combustion et d'accumulation de gaz, la sècheuse doit être ventilée vers l'extérieur. Suivre les instructions suivantes (et autres données dans le guide) attentivement.



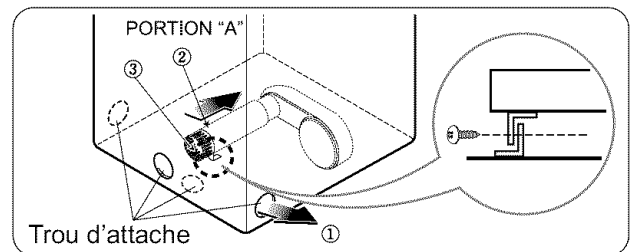
- Ne pas utiliser de conduit en plastique ou en aluminium.
- Utiliser des conduits en métal flexible ou rigide de 4 po (10,2 cm) de diamètre (remarque : matériaux de ventilation non fournis avec la sècheuse et sont nécessaire pour une installation adéquate).
- Positionner la sècheuse afin que le conduit d'échappement soit le plus court possible.
- **Nettoyer les anciens conduits avant l'installation de la sècheuse.**
- L'extrémité mâle de chaque section de conduit d'échappement doit être éloignée de la sècheuse.
- Utiliser le moins de joints de coudes possibles.
- Utiliser du ruban à conduit sur tous les joints.
- Isoler les conduits qui sont acheminés dans des espaces non chauffés afin de réduire la condensation et l'accumulation de charpie sur les parois de tuyaux.
- **IL EST À NOTER QUE SI L'ÉCHAPPEMENT DE LA SÈCHEUSE N'EST PAS APPROPRIÉ, CELA PEUT ANNULER LA GARANTIE.**

■ AUTRES DIRECTIVES POUR L'ÉCHAPPEMENT

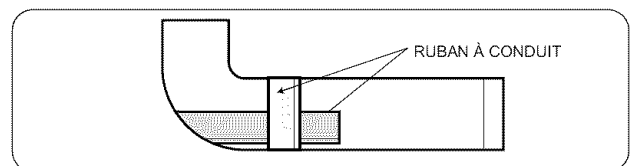
1. Retirer la vis et le conduit d'échappement.



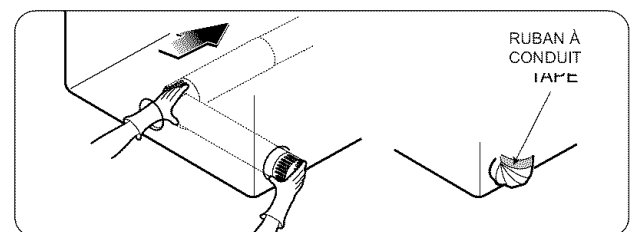
- 2-1. Détacher et enlever le trou à estamper correspondant à la ventilation désirée (côté droit non disponible pour les sècheuses à gaz).
①, ②, ③ est l'ordre de travail.



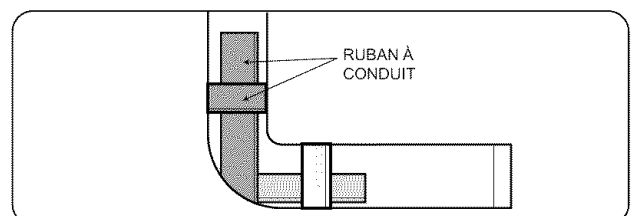
- 2-2. Rebrancher le conduit sur le bûtier de soufflerie et fixer le conduit à la base (le conduit est une pièce SVC)



- 3-1. Pré assembler le coude 4 po avec le conduit 4 po. Apposer du ruban à conduit autour des joints.

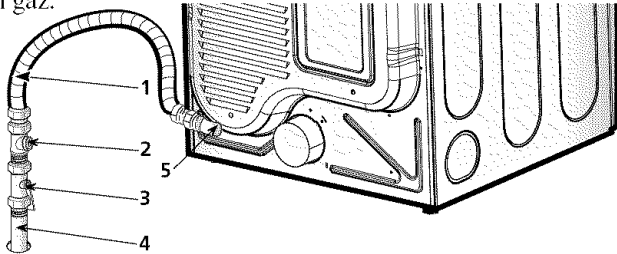


- 3-2. Insérer l'assemblage de conduit, coude en premier, dans l'ouverture latérale et brancher le coude sur le conduit interne de la sècheuse.



Étape 4 connexion de l'alimentation en gaz

(Sècheuse à gaz seulement.) En plus de ce qui suit, consulter la section sur les instructions et les exigences en gaz.



1. Nouveau connecteur flexible en acier inoxydable. Utiliser ce type de connecteur seulement si permis par les codes locaux. Utiliser le connecteur certifié AGA.
2. Fiche de tuyau 1/8 po NPT (pour vérifier la pression de gaz d'entrée).
3. Soupape d'arrêt installée à moins de 6 pi (1,8 m) de la sècheuse.
4. Tuyau en fonte. Plus court que 20 pi (6,1 m). Utiliser un tuyau de 3/8 po. Plus long que 20 pi (6,1 m), utiliser un tuyau de 1/2 po.
5. Connexion de gaz 3/8 po NPT.

Remarque

S'assurer que l'embout du brûleur est adéquat pour le type de gaz utilisé.

Par exemple, l'utilisation d'un embout LNG avec du gaz LP peut causer un incendie, une explosion ou la mort. Ou l'utilisation d'un embout LPG avec du gaz naturel (LNG), le brûleur ne s'allume pas.

Au besoin, un technicien qualifié doit faire la conversion de l'embout et indiquer ou apposer une étiquette concernant l'embout utilisé sur la sècheuse.

1. S'assurer que le type de gaz disponible dans la pièce de lessive est approprié pour la sècheuse. Cette dernière est conçue pour le gaz naturel avec une connexion NPT 3/8 po.
2. Enlever le capuchon d'expédition de la connexion de gaz à l'arrière de la sècheuse. S'assurer que l'on n'endommage pas les filets du tuyau de connexion de gaz.
3. Brancher la sècheuse sur l'alimentation en gaz de la pièce à l'aide d'un nouveau connecteur en acier inoxydable flexible (comme noté ci-dessous, utiliser seulement un nouveau connecteur si permis par les codes locaux).
4. Serrer toutes les connexions entre la sècheuse et l'alimentation en gaz de la pièce. Ouvrir l'alimentation en gaz et vérifier si les connexions de tuyau (internes et externes) présentent des fuites à l'aide d'un liquide pour détecter les fuites de gaz.
5. Pour la connexion de gaz LP (pétrole liquéfié), consulter la rubrique concernant les exigences en gaz et les instructions.

Étape 5 Connexions électriques pour sècheuse électrique seulement

Plusieurs avertissements et instructions concernant les connexions électriques suivent. Plus de détails sont donnés à la section exigences électriques. Il est important de bien lire cette section et de conserver ce guide avant d'effectuer l'installation ou d'utiliser cette sècheuse.

1. Utiliser seulement un nouveau nécessaire de cordon d'alimentation à 3 conducteurs (fil de cuivre seulement) listé U.L. n° 10, coté 240 volts (minimum), 30 ampères et étiqueté pour utilisation avec sècheuse.
2. Un cordon à 4 fils est requis pour les installations dans les maisons mobiles et où les codes locaux ne permettent pas la mise à la terre de cet appareil par le neutre.
3. Connexions de fiche électrique pour sècheuse électrique seulement
4. Pour plus de détails sur le branchement de l'appareil sur une source électrique, consulter la rubrique exigences électriques.

Remarque**Exigences d'entrée au brûleur**

Si la résidence est située dans un endroit où l'élévation est de 10 000 pieds ou moins.

Il n'est pas nécessaire de régler l'entrée du brûleur à cette altitude. A.G.A. certifie que cette sècheuse ne présentera pas de problème avec la cote BTu à cette altitude.

Si la résidence est au-dessus de 10 000 pieds, il faut ajuster une réduction de 4 % de la cote BTu du brûleur selon l'indication sur la plaque signalétique (n° de modèle et de série).

⚠ AVERTISSEMENT

- Utiliser un nouveau cordon d'alimentation 30 amp U.L. approuvé ou un fil en cuivre solide de calibre 10.
- Utiliser un réducteur de tension approuvé U.L.
- Débrancher l'alimentation avant d'effectuer les connexions électriques.
- Brancher le fil neutre (blanc ou fil central) sur la borne centrale.
- Le fil de mise à la terre (vert ou fil dénudé) doit être branché sur le connecteur de mise à la terre vert.
- Bien serrer les connexions électriques.
- Voir les instructions d'installation pour plus de détails.
- Si cela n'est pas observé, il peut en résulter un choc électrique.

Étape 6 préparation de la sécheuse

Avant la première utilisation de cet appareil, utiliser un produit nettoyant tout usage ou une solution d'eau et de détergent et un chiffon humide pour enlever toute la poussière ou charpie à l'intérieur du compartiment de séchage / tambour. Brancher la sécheuse après avoir révisé les sections concernant les exigences électriques.

Étape 7 fonctionnement de la source de chaleur**Source de chaleur pour la sécheuse à gaz**

Fermer la porte et après avoir complété toutes les étapes dans ce guide pour une installation adéquate, mettre l'appareil en marche sur un réglage de chaleur tel qu'il est décrit dans les instructions de fonctionnement fournies avec la sécheuse. Après la mise en marche de la sécheuse, l'allumeur devrait être rouge et le brûleur principal s'allume.

Avertissement : si tout l'air n'est pas purgé de la canalisation de gaz, l'allumeur peut s'éteindre avant que le gaz et le brûleur principal ne s'allument. Si cela se produit, l'allumeur tente un nouvel allumage après environ deux minutes.

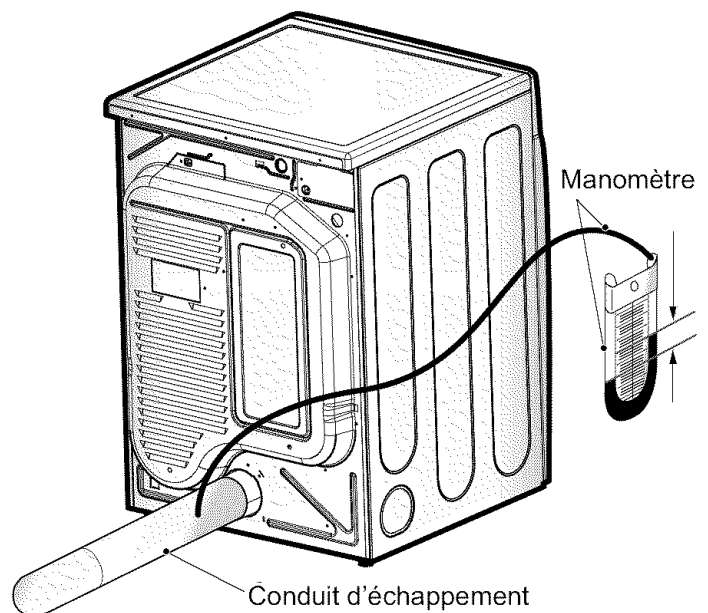
Source de chaleur pour la sécheuse électrique

Fermer la porte et après avoir complété toutes les étapes dans ce guide pour une installation adéquate, mettre l'appareil en marche sur un réglage de chaleur tel qu'il est décrit dans les instructions de fonctionnement fournies avec la sécheuse. L'air d'échappement ou le tuyau d'échappement devrait être chaud après un fonctionnement d'environ trois minutes.

Étape 8 débit d'air

Un fonctionnement efficace requiert un débit d'air approprié. La précision du débit d'air peut être mesurée en évaluant la pression statique. La pression statique dans le conduit d'échappement peut être mesurée à l'aide d'un manomètre placé sur le conduit d'échappement à environ 2 pi (60,9 cm) de la sécheuse. Elle ne doit pas excéder 0,6 po (1,5 cm). La sécheuse doit être vérifiée pendant son fonctionnement, sans charge.

Mesure de la pression statique



**PRESSION
STATIQUE
MAXIMALE EN
COLONNE D'EAU**

0,6 po (1,5 cm)

Étape 9 Instructions additionnelles pour l'installation de la sècheuse dans une maison mobile

Les instructions suivantes sont applicables aux installations de la sècheuse dans une maison mobile. Toute installation doit être conforme aux normes de sécurité et construction de maison fabriquée, titre 24 CFR, partie 32-80 ou aux normes CAN/ACNOR0Z240MH et les codes et règlements locaux. En cas de doute, communiquer avec une agence de service ou un professionnel.

Les instructions suivantes s'applique à toute installation de la sècheuse dans une maison mobile.

1. La sècheuse doit être fixée de façon permanente au plancher.
2. La connexion électrique pour une sècheuse électrique doit être de 4 fils. Plus de détails à la section exigences électriques.
3. Pour réduire le risque d'incendie, la sècheuse doit être ventilée à l'extérieur.

4. La sècheuse électrique peut être ventilée à l'extérieur par le panneau arrière, gauche, droit ou inférieur.
5. La sècheuse à gaz doit être ventilée à l'extérieur par le panneau arrière, gauche ou inférieur. Elle ne peut être ventilée par le panneau droit à cause du boîtier du brûleur.
6. Le conduit d'échappement de la sècheuse doit être fixé de façon sécuritaire à la structure de la maison mobile et le conduit doit être fabriqué d'un matériau qui résiste au feu et à la combustion et il est recommandé d'utiliser un tuyau en métal flexible ou rigide.
7. NE PAS brancher le conduit d'échappement sur d'autres conduits, évent, cheminée ou autres.
8. S'assurer qu'il y a une bonne aération pour un fonctionnement approprié. L'ouverture pour de l'air frais de l'extérieur doit être d'au moins 25 po² (163 cm²).
- 9) Il est important que le dégagement du conduit de toute construction combustible soit à au moins 2 po (5 cm) et qu'au moment de ventiler la sècheuse à l'extérieur, elle doit être avoir des dégagements de 1 po de chaque côté et à l'arrière. 10. Il est à noter que les matériaux de ventilation ne sont pas fournis avec l'appareil. Il faut se les procurer pour une installation adéquate.

AVERTISSEMENT

NE PAS brancher les conduits d'échappement avec des vis en métal ou des attaches qui entrent dans le conduit.

AVERTISSEMENT

NE PAS ventiler le conduit d'échappement sous une maison mobile.

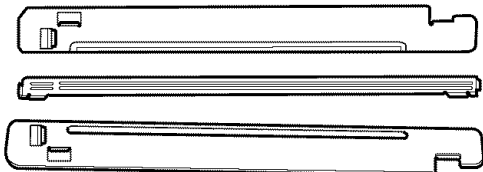
French Stacking Kit Install Instructions

Instructions d'installation du dispositif d'empilage
 Pour s'assurer d'une installation sécuritaire, observer les instructions ci-dessous.

AVERTISSEMENT

Une seule personne ne peut faire l'installation
 Une installation inadéquate peut causer des blessures

Le poids de la sècheuse et la hauteur de l'installation représentent une marche à suivre hasardeuse pour une seule personne. Cette marche à suivre doit être effectuée par au moins deux personnes de service expérimentées.



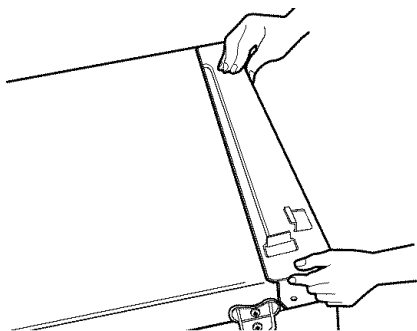
Dispositif d'empilage

1 Placer la laveuse fermement sur un plancher solide, uni et stable, tel qu'il est décrit dans les instructions du guide du propriétaire.

2 Retirer le papier protecteur sur la fixation latérale du dispositif d'empilage.

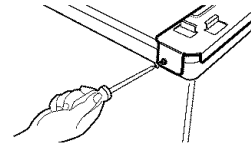


3 Ajuster fermement la fixation latérale du dispositif d'empilage sur le côté de la plaque supérieure en fixant le ruban à deux côtés adhésifs sur la plaque supérieure, tel qu'il est illustré.

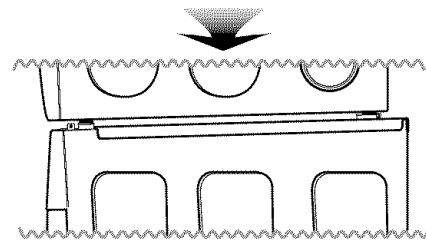
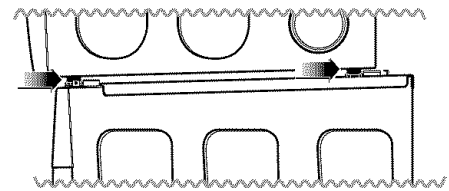
**Remarque**

S'il y a des objets étrangers sur la surface de la plaque supérieure, il sera difficile d'apposer un adhésif à double face.

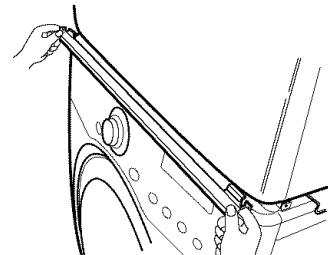
4 Fixer de façon sécuritaire la fixation latérale du dispositif d'empilage avec une vis à l'arrière de la fixation. Répéter les étapes 2, 3 et 4 pour l'autre côté.



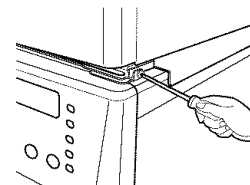
5 Placer la sècheuse sur la laveuse en ajustant les pieds comme illustré. Attention pour ne pas se blesser aux doigts en les pinçant entre la laveuse et la sècheuse. Faire glisser la laveuse doucement vers l'arrière jusqu'à la butée.



6 Insérer le dispositif d'empilage avant. Pousser le dispositif avant jusqu'aux butées sur le côté du dispositif.



7 Visser les deux côtés du dispositif avant.



- Ne pas utiliser le dispositif d'empilage avec une sècheuse à gaz dans des conditions potentiellement instables comme dans une maison mobile.

Piédestal Instructions d'installation

- 1** Retirer le piédestal, les objets d'installation et les instructions du carton de transport.
- 2** Positionner le séchoir sur le haut du piédestal.
NOTE : A cause du poids du séchoir, plus de deux personnes sont nécessaires.

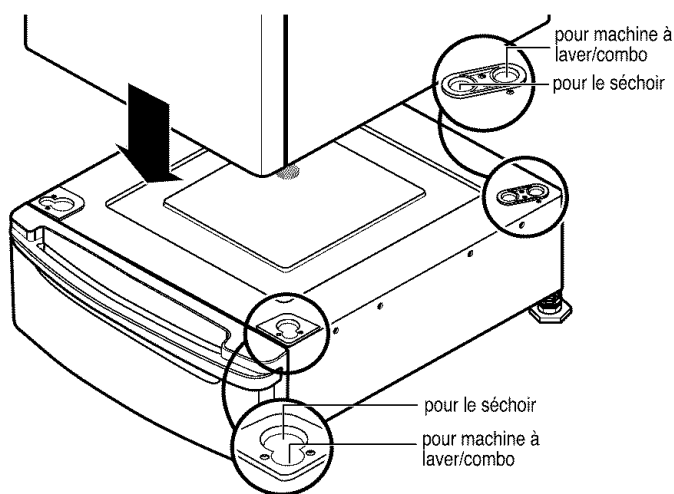
NOTE : Au cas où le séchoir a été installé préalablement, le désinstaller selon les instructions suivantes:

A. Désinstaller le séchoir électrique:

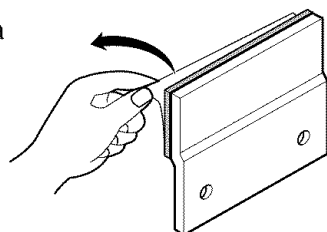
- 1) Débrancher le fil électrique.
- 2) Laisser assez d'espace entre le séchoir et le mur pour permettre de desserrer la bride d'évent. Desserrer la bride et enlever l'évent d'échappement(exhaust vent) de la sortie d'air(exhaust outlet) du séchoir avec attention.

B. Désinstaller le séchoir de gaz:

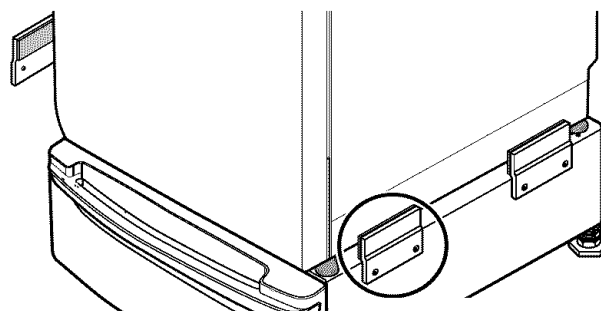
- 1) Fermer le gaz
- 2) Débrancher le cordon d'alimentation
- 3) Débrancher la canalisation de gaz de la sècheuse
- 4) Tirer et desserrer la pince d'évent. Débrancher la ventilation



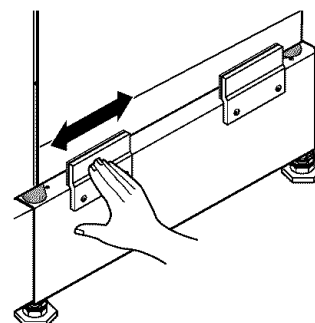
- 3** Enlever le papier de la ferrure.



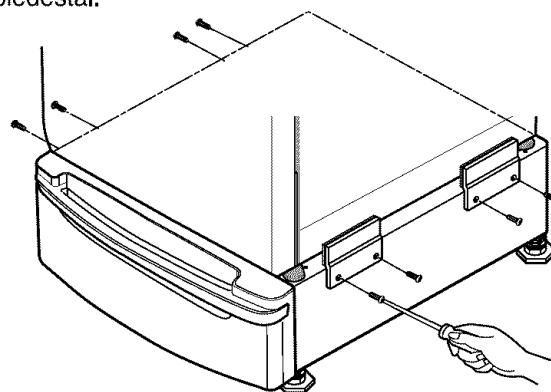
- 4** Appliquer l'autocollant à double-face de ferrure au séchoir de façon à ce que les parties pliées des ferrures s'alignent sur l'angle et puissent être fixées au piédestal avec les vis.
NOTE : Coller la partie inférieure en premier.



- 5** Appuyer fermement sur les parties adhésives des ferrures contre l'appareil.



- 6** Serrer les 8 vis fournies pour fixer les ferrures au piédestal.



- 7** Déplacer le séchoir à l'endroit où vous voulez le disposer.

NOTE : L'appareil et le piédestal doivent être placés sur un sol solide et plat pour un fonctionnement approprié. Ajuster les pieds de l'appareil et du piédestal en tournant avec une clé à vis. Ensuite ajuster le frein d'écrou vers le piédestal en tenant le pied de piédestal avec la clé à vis.

Les instructions suivantes s'appliquent aux connexions électriques et les exigences pour les sècheuses électriques.

⚠ Avertissement important : Pour éviter tout incendie, choc électrique, blessures ou la mort, le câblage et la mise à la terre doivent être conformes à la dernière édition du Code national électrique, ANSI/NFPA 70 et à tous les codes et règlements locaux. Communiquer avec un électricien qualifié pour vérifier si le câblage et les fusibles de la résidence sont adéquats pour faire fonctionner l'appareil.

Installation 3 fils, 120V/208V, 60 Hertz

Installation 3 fils, 120V/240V, 60 Hertz

Instructions pour la mise à la terre de la sècheuse électrique

- a) Noter que le diagramme de câblage est à l'intérieur du panneau de contrôle de l'appareil.
- b) Cette sècheuse doit être branchée sur un système de câblage permanent, en métal, mis à la terre; ou un connecteur de mise à la terre d'équipement doit être acheminé avec les conducteurs de circuits et branchés sur la borne de mise à la terre d'équipement ou un fil de la sècheuse.
- c) La sècheuse est dotée de son bloc de bornes qui doit être branché sur un circuit séparé, 60 Hz, phase simple, c.a. (courant alternatif), fusible à 30 amp (le circuit doit avoir un fusible des deux côtés). **LE SERVICE ÉLECTRIQUE POUR LA SÈCHEUSE DOIT AVOIR LA COTE MAXIMALE INDIQUÉE SUR LA PLAQUE SIGNALÉTIQUE. NE PAS BRANCHER LA SÈCHEUSE SUR UN CIRCUIT DE 110, 115 OU 120 VOLTS.** Les éléments chauffants sont disponibles pour l'installation sur place des sècheuses qui sont branché sur un service électrique de différent voltage que celui indiqué sur la plaque signalétique, comme le 208 volts.
- d) Si le circuit termina à la sècheuse est 15 pi (4,50 m) ou moins, utiliser un fil 10 AWG listé U.L. (laboratoire des assureurs) ou tel que requis par les codes locaux. Si plus de 15 pi (4,50 m), utiliser un fil (de cuivre seulement) 8 AWG listé U.L. ou selon les codes locaux. Laisser suffisamment de longueur afin que la sècheuse puisse être déplacée au besoin.

- e) La connexion du cordon d'alimentation (tire bouchon) entre la prise murale et le bloc de bornes de la sècheuse N'EST PAS fournie. Le type de tire-bouchon et le calibre du fil doivent être conforme aux codes locaux et aux instructions des pages suivantes.
- f) La méthode de câbler l'appareil est optionnelle et sujette aux exigences des codes locaux. Consulter les exemples à la page suivante.
- g) Il faut sélectionner un méthode pour câbler l'appareil selon les codes et règlements locaux. Voir page suivante.

⚠ AVERTISSEMENT

Étiqueter tous les fils avant de débrancher au moment du service de l'appareil. Des erreurs de câblages peuvent causer des blessures sérieuses ou endommager la sècheuse.

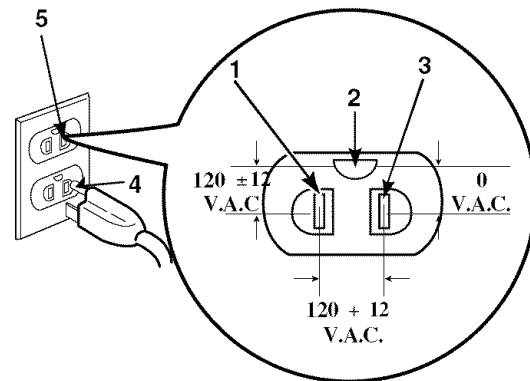
Fiche mise à la terre à 3 broches, 120 volts, 60 Hertz

Les instructions suivantes s'appliquent aux connexions électriques et les exigences pour les sècheuses à gaz.

⚠ Avertissement important : Pour éviter tout incendie, choc électrique, blessures ou la mort, le câblage et la mise à la terre doivent être conformes à la dernière édition du Code national électrique, ANSI/NFPA 70, au Code canadien d'électricité ANCOR C22.1 et à tous les codes et règlements locaux. Communiquer avec un électricien qualifié pour vérifier si le câblage et les fusibles de la résidence sont adéquats pour faire fonctionner l'appareil.

Exigences électriques pour la sècheuse.

- Le diagramme de câblage est fourni à l'intérieur du boîtier de la sècheuse. Étiqueter tous les fils avant de débrancher au moment du service de l'appareil. Des erreurs de câblages peuvent causer des blessures sérieuses ou endommager la sècheuse.
- La sècheuse est conçue pour être utilisée sur un circuit séparé, polarisé, à 3 fils, mis à la terre, 120 volts, 60 Hertz, c.a. (courant alternatif) protégé par un fusible 15 amp, équivalent ou un coupe-circuit.
- Utiliser des circuits séparés pour la laveuse et la sècheuse, NE PAS faire fonctionner une laveuse et une sècheuse sur le même circuit.



CIRCUIT MIS À LA TERRE STANDARD 120 VOLTS, 60 HERTZ À 3 FILS

- | | |
|---|--------------------------------|
| 1 | L1 |
| 2 | Mise à la terre |
| 3 | Côté neutre |
| 4 | Fiche ronde de mise à la terre |
| 5 | Neutre |

- La sècheuse est dotée d'une fiche à 3 broches protégeant contre les chocs. La fiche doit être branchée directement sur une prise à 3 trous mise à la terre, cotée 120 V c.a., 15 amp. Cette fiche, afin de protéger adéquatement, doit être branchée sur une prise adéquate mise à la terre conformément aux codes et règlements locaux.
- La sècheuse doit être mise à la terre afin de réduire tout risque de choc électrique, incluant mauvais fonctionnement et bris.
- Si la pièce ne répond pas aux spécifications requises ou en cas de doute, communiquer avec une personne qualifiée (électricien) ou la compagnie d'électricité.

⚠ AVERTISSEMENT

Ne pas surcharger le circuit en faisant fonctionner d'autres appareils sur le même circuit lorsque cet appareil fonctionne, en utilisant une rallonge pour brancher la sècheuse sur l'alimentation ou en utilisant un adaptateur pour permettre d'ajouter d'autres cordons.

⚠ AVERTISSEMENT

NE PAS modifier la fiche fournie avec la sècheuse. Si elle n'entre pas dans la prise, il faut faire installer une prise adéquate par un électricien qualifié.

Les instructions suivantes s'appliquent aux exigences pour l'alimentation en gaz et le service pour les sècheuses à gaz. **⚠ Avertissement important** : L'alimentation en gaz et le service pour la sècheuse à gaz doivent être conformes à tous les codes et règlements locaux. En l'absence de ces derniers, l'alimentation en gaz et le service doivent être conformes à la dernière édition du Code national de gaz et combustible, ANSI Z223.1/NFPA 54.

1. Exigences d'alimentation en gaz : gaz au pétrole liquéfié (L.P.) (2 500 Btu/pi³ [93,1 MJ/m³]) doit être fourni à une pression de 10 + 1,5 po, colonne d'eau.
2. Ne pas brancher la sècheuse sur le gaz LP (pétrole liquéfié). Seul un technicien qualifié peut effectuer ce changement.
3. Isoler la sècheuse du système de tuyau d'alimentation en fermant la soupape d'arrêt manuelle pendant tout test de pression du système d'alimentation en gaz à un test de pression égale ou moins que 2/1 lb/po² (3,45 kPa).
4. Exigences de canalisation : La pièce doit avoir une canalisation d'alimentation en gaz rigide à la sècheuse. Aux É.-U., une soupape d'arrêt manuelle individuelle DOIT être installée à moins de 6 pi (1,8 m) de la sècheuse conformément au Code national de gaz et carburant ANSI Z223.1. Une fiche de tuyau NPT 1/8 po doit être installée comme illustrée.
5. Si un tuyau rigide est utilisé, il doit être de _ po IPS. Si acceptable selon les codes locaux et si acceptable par le fournisseur de gaz, un tuyau de 3/8 po approuvé peut être utilisé lorsque les longueurs sont inférieures à 20 pi (6,1 m). Des tuyaux plus larges devraient être utilisés si les longueurs excèdent 20 pi (6,1 m). Il est aussi important d'utiliser une pâte à joint insoluble au gaz LP.
6. Pour réduire tout risque de fuite, d'explosion et d'incendie, observer les instructions et AVERTISSEMENTS
 - Brancher la sècheuse sur le type de gaz indiqué sur la plaque signalétique.
 - Utiliser de nouveaux connecteurs en acier inoxydable flexibles.
 - Utiliser du ruban Téflon ou de la pâte à joint insoluble pour le gaz LP sur tous les filets de tuyaux.
 - Purger l'air de la canalisation en gaz et les sédiments avant de brancher l'alimentation en gaz sur la sècheuse afin d'éviter la contamination de la soupape de gaz, avant de serrer la connexion, purger le reste de l'air jusqu'à ce qu'une odeur de gaz soit identifiée.
 - NE PAS utiliser de flamme nue pour vérifier les fuites de gaz, utiliser un liquide de détection de fuite approprié.

⚠ AVERTISSEMENT

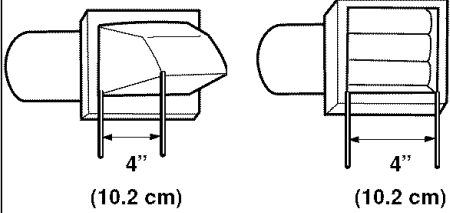
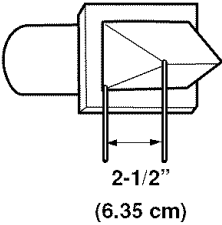
NE PAS tenter de démonter la sècheuse. Tout désassemblage requiert l'habileté et les outils d'un technicien qualifié.

⚠ AVERTISSEMENT

- Utiliser une nouvelle canalisation à gaz AGA ou ACNOR approuvée.
- Installer une soupape d'arrêt.
- Bien serrer les connexions en gaz.
- Si branché sur le LP, demander à un technicien qualifié de s'assurer que la pression de gaz ne dépasse pas 13 po, colonne d'eau.
- Exemple de personne qualifiée : personnel qualifié en chauffage, de la compagnie de gaz autorisée et technicien autorisé.
- Cela peut causer une explosion, un incendie ou la mort si cela n'est pas observé.

Les instructions suivantes s'appliquent aux exigences d'échappement de l'appareil.

⚠ Avertissement important : Pour réduire le risque d'incendie, de combustion ou d'accumulation de gaz de combustion, NE PAS ventiler la sècheuse dans un endroit fermé et non ventilé comme un grenier, mur, plafond, espace restreint, cheminée, évent de gaz, etc. Pour réduire le risque d'incendie, NE PAS ventiler la sècheuse avec un conduit en plastique ou en aluminium mince.

Type de capuchon	Nombre de coudes 90°	Longueur maximale d'un conduit en métal rigide 4 po (10,2 cm)	Longueur maximale d'un conduit en métal flexible 4 po (10,2 cm)
Recommandé 	0	65 pi (19,8 m)	45 pi (13,7 m)
	1	55 pi (16,8 m)	35 pi (10,7 m)
	2	47 pi (14,3 m)	30 pi (9,1 m)
	3	36 pi (11,0 m)	25 pi (7,6 m)
	4	28 pi (8,5 m)	20 pi (6,1 m)
Utiliser seulement pour installation courte 	0	55 pi (16,8 m)	35 pi (10,7 m)
	1	47 pi (14,3 m)	27 pi (8,2 m)
	2	41 pi (12,5 m)	21 pi (6,4 m)
	3	30 pi (9,1 m)	17 pi (5,2 m)
	4	22 pi (6,7 m)	15 pi (4,5 m)

REMARQUE : Déduire 6 pi (1,8 m) pour chaque coude additionnel.

Il n'est pas recommandé d'utiliser plus de 4 coudes 90°

Exigences d'échappement et instructions

- Les matériaux de ventilation ne sont pas fournis avec l'appareil et doivent être obtenus localement. Par exemple, l'extrémité extérieure du tuyau d'échappement doit avoir un capuchon avec registre à charnière pour empêcher les tirages arrière lorsque la sècheuse n'est pas utilisée.
- Le conduit d'échappement doit être de 4 po (10,2 cm) de diamètre sans obstruction. Il doit être le plus court possible. S'assurer de nettoyer les anciens conduits avant d'installer la nouvelle sècheuse.
- Conduit en métal rigide recommandé. Ne pas installer de conduit flexible dans des espaces restreints. Conduit en métal flexible non combustible acceptable. NE pas utiliser de conduit en plastique ou en aluminium mince.
- NE PAS utiliser de vis à métal pur les joints de tuyaux d'échappement ou autres attaches pouvant se prolonger dans le tuyau. Ils peuvent capter la charpie et réduire l'efficacité du système d'échappement. Fixer tous les joints avec du ruban à conduit.
- Pour maximiser le fonctionnement, observer les limitations de longueur.

Échappement et entretien

⚠ AVERTISSEMENT

Débrancher l'alimentation électrique avant de nettoyer ou le service.

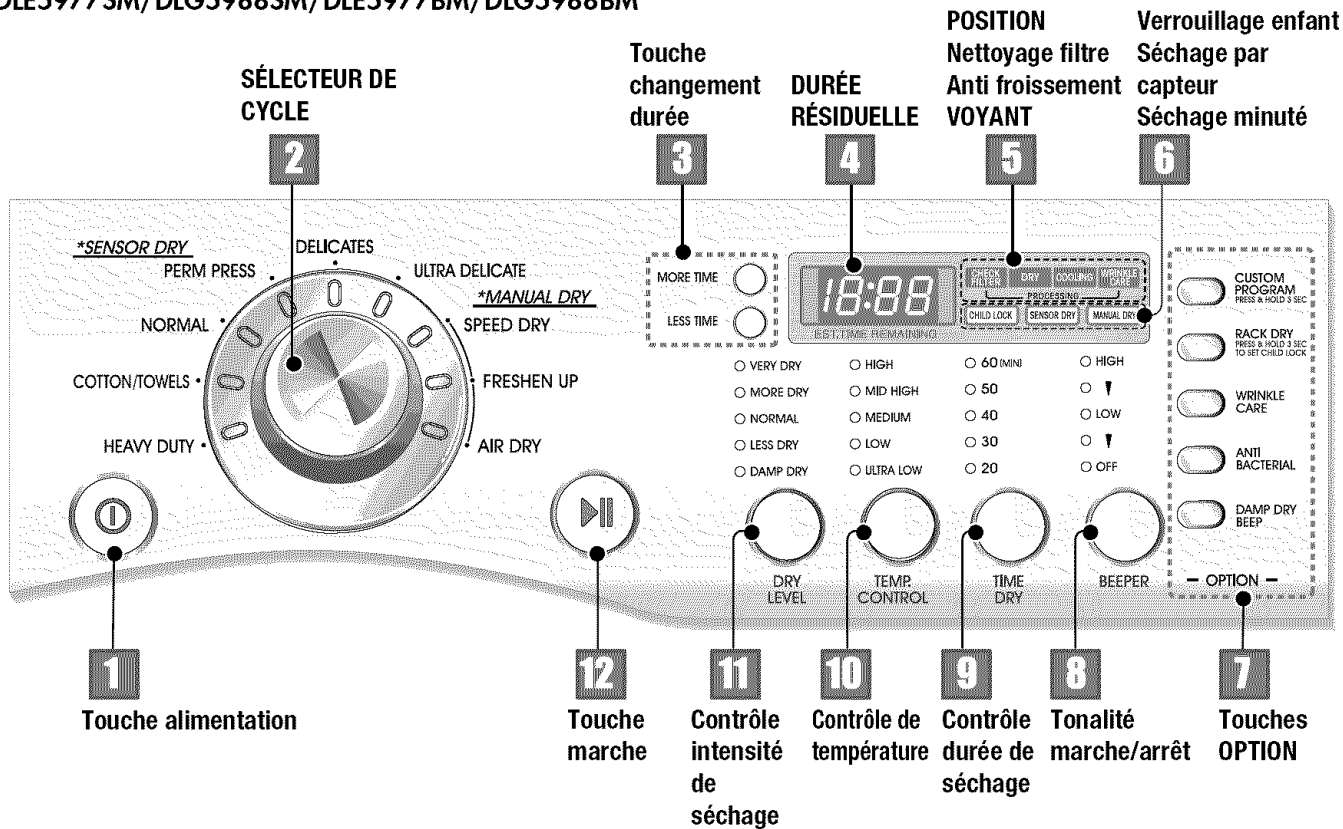
1. Après un an d'utilisation, l'intérieur et le système d'échappement doivent être vérifiés et nettoyés.
2. Avant une année d'utilisation, si le rendement de séchage est soudainement insatisfaisant, vérifier et nettoyer le conduit d'échappement.
3. Vérifier les capuchons fréquemment pour s'assurer que les registres bougent librement et que rien ne les pousse ni les obstrue.
4. Un technicien qualifié ou une compagnie doit effectuer cet entretien.
5. Un nécessaire d'évent en métal flexible, disponible à prix additionnel, peut être utilisé pour ventiler la sècheuse lorsqu'elle est située dans un endroit difficile d'accès. Ce nécessaire est en deux pièces; une fixée à la sècheuse et l'autre à la sortie d'échappement murale. Après l'installation, la sècheuse peut être remise en place, puis les deux pièces branchées.
7. Habituellement, le tambour de la sècheuse ne requiert aucun entretien. Essuyer l'extérieur de la sècheuse et immédiatement après un déversement de détergent, de javellisant ou autres produits de lavage car ils peuvent endommager le fini extérieur de la sècheuse.
8. Nettoyer le panneau de contrôle avec un chiffon humide, au besoin. Avertissement : les produits vaporisateurs peuvent endommager le fini.
9. Nettoyer le filtre à charpie avant chaque charge ou après chaque séchage.
10. Toujours s'assurer que le filtre à charpie est propre avant de sécher une nouvelle charge, un filtre à charpie obstrué peut allonger le temps de séchage.
11. Retirer le filtre à charpie et le fixer à un aspirateur. Voir n° 2.
12. Le diagramme de câblage est à l'intérieur du panneau de contrôle. Étiqueter tous les fils avant de débrancher au moment du service de l'appareil. Des erreurs de câblages peuvent causer des blessures sérieuses ou endommager la sècheuse

Nettoyage de la crépine à charpie

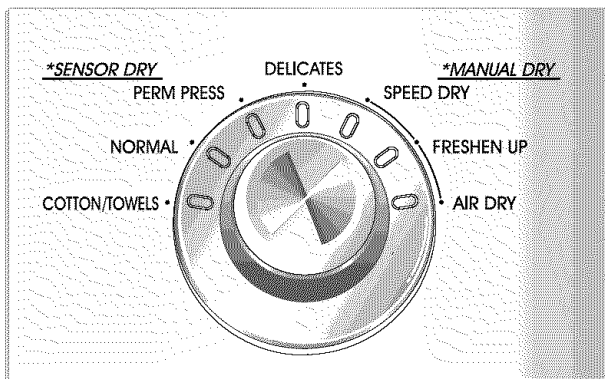
1. Nettoyer le filtre à charpie avant chaque charge ou après chaque séchage. Toujours s'assurer que le filtre à charpie est propre avant de sécher une nouvelle charge, un filtre à charpie obstrué peut allonger le temps de séchage.
2. Pour nettoyer, tirer le filtre droit vers le haut et rouler la charpie avec les doigts. NE pas rincer ni laver le filtre, la charpie mouillée est plus difficile à enlever. Repousser le filtre en place.
3. Toujours s'assurer que le filtre est bien en place avant de faire fonctionner l'appareil. Si ce dernier fonctionne sans filtre, cela peut causer une surchauffe et endommager l'appareil et les vêtements à sécher.
4. Certains articles produisent plus de charpie comme les serviettes faites de fibres synthétiques ou naturelles, ainsi le filtre se remplit plus rapidement. Retirer la charpie avant et après le séchage de ces articles.
5. Dans le cas où de la charpie tombe du filtre et dans la sècheuse pendant le retrait, vérifier le capuchon d'échappement et enlever toute charpie.
6. Les résidus de détergent ou d'assouplissant peuvent s'accumuler dans le filtre, allongeant les temps de séchage. Le filtre est obstrué si la charpie tombe du filtre. Afin d'éviter toute accumulation et assurer un bon fonctionnement, nettoyer le filtre avec une brosse en nylon tous les 6 mois ou plus fréquemment. Le filtre peut aussi être lavé comme suit.
 - a) Après avoir enlevé la charpie avec les doigts, mouiller les deux côtés du filtre avec de l'eau chaude ou tiède.
 - b) Mouiller la brosse en nylon avec de l'eau chaude et du détergent liquide, frotter pour enlever toute accumulation.
 - c) Répéter au besoin.
 - d) Une fois les résidus enlevés, rincer à l'eau chaude.
 - e) Après le séchage avec une serviette propre, remettre en place fermement.

Voici les instructions pour mettre en marche et utiliser la sècheuse. Consulter les rubriques spécifiques dans ce guide pour plus de détails. Avertissement important : pour réduire le risque d'incendie, de choc électrique ou de blessures, lire tout le guide, incluant **instructions importantes de sécurité** avant d'utiliser la sècheuse.

DLE5977W/DLG5988W/DLE5977B/DLG5988B/DLE5977S/DLG5988S/DLE5977WM/DLG5988WM/
DLE5977SM/DLG5988SM/DLE5977BM/DLG5988BM



DLE3777W/DLG3788W



1 Touche alimentation

- Utiliser cette touche pour mettre en ou hors circuit.

⚠ AVERTISSEMENT

Risque d'explosion

Éloigner tous matériaux ou vapeurs inflammables, comme de l'essence, de la sècheuse.

NE pas faire sécher d'articles ayant des taches de produits inflammables (même après le lavage).

Sinon, cela peut causer une explosion, un incendie ou la mort.

⚠ AVERTISSEMENT

Risque d'incendie

Aucune laveuse ne peut tout enlever l'huile.

NE pas sécher d'articles ayant des taches d'huile (incluant l'huile pour la cuisson).

Les articles contenant de la mousse, du caoutchouc ou du plastique doivent être séchés sur une corde à linge ou en utilisant le cycle à air. Sinon cela peut causer un incendie ou la mort.

2 Sélection de cycle

- En tournant le bouton, sélectionner le cycle désiré en fonction du type de lessive et des conditions.

1. Cycle de séchage par capteur

Les cycles de séchage par capteur permettent de faire correspondre le cycle à la charge. Chaque cycle sèche certains tissus à la température recommandée. Un capteur détecte l'humidité de la charge et règle automatiquement le temps de séchage.

Robuste

Utiliser pour jeans, velours côtelé, vêtements de travail; tissus qui nécessitent beaucoup de chaleur.

Coton/serviette

Utiliser pour sécher le denim, serviettes, cotons lourds (chaleur moyenne-élevée)

Normal

Utiliser pour sécher les tissus robustes comme les vêtements de travail (chaleur moyenne)

Sans repassage

Utiliser pour les vêtements à pressage permanent et synthétiques (chaleur moyenne)

Déliçats

Utiliser pour sécher les tissus synthétiques, tricot lavables et vêtements sans repassage (chaleur faible)

Ultra délicat

Utiliser pour les articles délicats comme les vêtements d'entraînement, voileage, dentelle (chaleur très faible)

Réglages de cycle préréglé de séchage par capteur		
Cycle séchage par capteur	Temp.	Temps* (minutes)
ROBUSTE Jeans, vêtements lourds	élevé	54
COTON/SERVIETTES Serviettes, articles en denim	moyen-élevé	55
NORMAL Vêtements de travail, velours côtelé	moyen	41
SANS REPASSAGE Synthétique, pressage permanent	faible	36
DÉLICATS Lingerie, draps, blouses	faible	32
ULTRA DÉLICAT Voilage, vêtements d'entraînement, dentelle	très faible	34

* Temps estimé avec réglage (normal) NIVEAU SÈCHAGE PAR CAPTEUR.

2. Cycles manuels

Utiliser pour sélectionner une durée spécifique de séchage et température. Un cycle manuel sélectionné, le temps estimé résiduel s'affiche. L'on peut changer le temps actuel en pressant MORE ou LESS.

Séchage rapide

Utiliser pour les petites charges ou les charges qui nécessitent un temps de séchage court

Rafrâchir

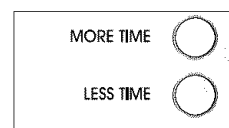
Utiliser pour enlever le froissement des vêtements comme ceux placés dans une valise ou laissés dans la sècheuse trop longtemps.

À air

Utiliser pour les articles qui requièrent un séchage à l'air seulement comme le caoutchouc, le plastique et les tissus sensibles à la chaleur.

3 Touche changement de durée

- Presser MORE TIME (plus) ou LESS TIME (moins) jusqu'à ce que la durée de séchage soit réglée.



Remarque

La touche de changement de durée est disponible avec les programmes de séchage manuel et de séchage support seulement.

4 Durée résiduelle estimée

- L'affichage indique la durée résiduelle estimée. En plus, si la sècheuse présente un problème, le message d'erreur y figure.



5 Position/nettoyer filtre/voyant anti froissement

- Indique la position du séchage.

Lorsque l'anti froissement est sélectionné, le voyant s'allume.



Lorsque l'alimentation est en circuit, nettoyer filtre clignote jusqu'à ce que START/PAUSE (marche/pause) soit sélectionné.

▲ AVERTISSEMENT

Pour un meilleur rendement de séchage et la sécurité, nettoyer le filtre à chaque utilisation.

6 Verrouillage enfant/séchage par capteur/séchage minuté



1. Verrouillage enfant

Cette fonction peut être utilisée pour empêcher les enfants d'utiliser le panneau de contrôle pendant le séchage.

Lorsque activé, toutes les touches sont verrouillées et le voyant s'allume.

Pour verrouiller

Presser et maintenir RACK DRY (séchage support) pendant 3 secondes. Une tonalité est entendue et CL figure à l'affichage.

Pour déverrouiller, presser et maintenir RACK DRY (séchage support) pendant 3 secondes de nouveau.

2. Séchage par capteur/séchage minuté

Le voyant s'allume lorsque le programme est sélectionné.

7 Touches options

1. PROGRAMME AU CHOIX

Ceci permet de programmer les combinaisons préférées.



- Sélectionner un cycle.
- Changer DRY LEVEL (niveau séchage) et TEMP. CONTROL (contrôle température).
- Sélectionner les OPTIONS désirées.
- Presser et maintenir CUSTOM PROGRAM.

Pour rappeler le programme en mémoire

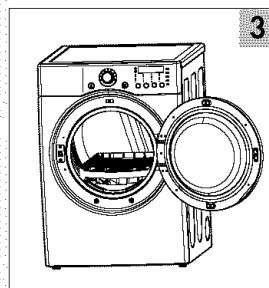
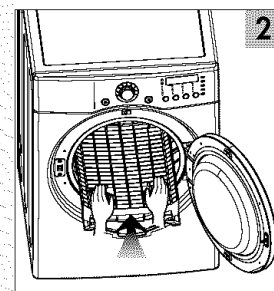
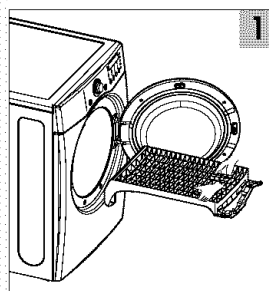
Presser CUSTOM PROGRAM, puis presser START/PAUSE.

2. Séchage avec support

Ce support est conçu pour une utilisation avec des articles qui ne doivent pas culbutter comme des pulls et articles semblables. Il permet à l'air de circuler en un motif concentré permettant un séchage constant et efficace.



■ Pour utiliser le support à séchoir



- Ouvrir la porte. Maintenir le support de sécheuse avec les deux mains.
- Placer le support dans le tambour.
- S'assurer que le support est de niveau dans le tambour et sur le bord de la porte.

Attention

Ne pas utiliser le support pour le séchage par culbutage normal. Le support est en place au moment de l'expédition, le retirer pour un séchage normal.

Suggested Items for Rack Drying	Temperature Setting	Suggested Time* (Minutes)
Articles en lainage lavables	Low	20
Animaux en peluche avec bourre de coton ou fibre de polyester	Low/Ultra Low	20/30
Animaux en peluche avec bourre en caoutchouc mousse	Air Dry/Ultra Low	50/30
Oreillers en caoutchouc mousse	Air Dry	50
Chaussures athlétiques	Air Dry	20

* Reset time as needed to complete drying.

3. Entretien froissement

Cette option aide à prévenir le froissement de la lessive.

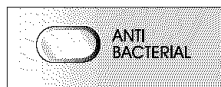


En choisissant cette option, la sècheuse fait culbuter périodiquement les vêtements jusqu'à trois heures une fois le cycle complété.

L'on peut utiliser cette option si l'on ne peut retirer les vêtements immédiatement après le séchage.

4. Antiseptique

Cette option peut être utilisée seulement avec les cycles ROBUSTE,



COTON/SERVIETTE et NORMAL. Cette option réduit certain type de bactéries. Le réglage produit une température élevée pendant le cycle.

REMARQUE

ne pas utiliser avec les tissus délicats.

5. Bip de séchage humide

Lorsque l'on choisit cette option, une sonnerie avise lorsque la charge est approximativement séchée à 80 %.

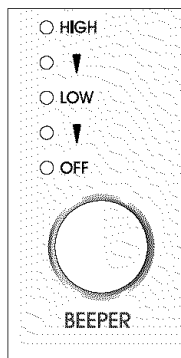


Cet avis permet de retirer les articles légers qui sont secs ou d'autres articles que l'on désire repasser.

8 Sonnerie

La sonnerie contrôle le volume produit lorsque l'on presse une touche sur le panneau de contrôle et à la fin du cycle.

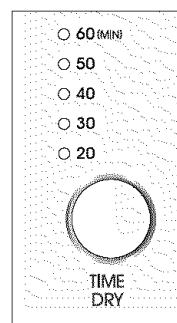
Presser BEEPER pour régler le niveau sonore et mettre le signal hors circuit.



9 Séchage minuté

Employez l'option sèche de temps pour changer le temps de séchage sur vos propres.

Vous pouvez choisir le temps désiré d'opération manuellement en appuyant sur le bouton sec de temps qui s'étend de 20 à 60 minutes.



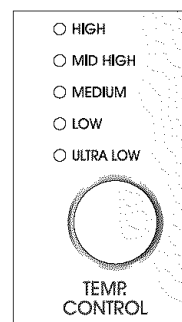
Réglage manuel

Type de charge de cycles manuels	Temps.	Temps par défaut (minutes)*
SÉCHAGE RAPIDE PETITES CHARGES	élevé	25
RAFRAÎCHIR enlever le froissement	moyen élevé	20
À AIR	air	30

10 Contrôle de température

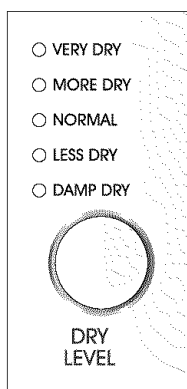
Utiliser cette option pour sélectionner les températures pour les cycles manuels. Presser TEMP. CONTRÔL jusqu'à ce que la température désirée figure.

Le réglage de température ne peut être utilisé avec les cycles de séchage par capteur.



Type de charge	Temps par défaut* (minutes)
Oreiller en caoutchouc mousse, soutien-gorge coussiné, jouet en peluche	20 à 30
Rideaux de douche en plastique, nappes	20 à 30
Tapis à envers en caoutchouc	40 à 50
Oléfine, polypropylène, nylon	10 à 20

1 Niveau de séchage



- Utiliser cette touche pour régler le niveau de séchage.
- Sélectionner d'abord le cycle de séchage par capteur.
- Sélectionner niveau de séchage pour régler le niveau de séchage de la charge. Pendant le cycle, le contrôle capte le séchage de la charge et règle la durée automatiquement en fonction du niveau sélectionné.

Remarque

Les sélections NIVEAU DE SÈCHAGE peuvent être faites seulement pendant les cycles séchage par capteur. En sélectionnant MORE ou LESS, cela règle automatiquement la durée nécessaire déjà captée.

* Mise en marche de la sècheuse

1. Avant d'utiliser

- Nettoyer le filtre à charpie avant ou après chaque cycle.
- Mettre la charge dans la sècheuse et fermer la porte. Voir Chargement.
- Tourner le bouton pour sélectionner le cycle désiré. Le réglage préréglé pour les cycles séchage par capteur ou manuel figure. La durée estimée ou réelle du cycle (en minutes) figure.

2. Charge

- Déterminer le format de la charge selon la quantité d'espace requise plutôt que par le poids.
- Éviter de surcharger la sècheuse. En observant ces instructions, cela peut aider à réduire la facture d'alimentation, à prolonger la vie des vêtements et réduire le froissement et l'humidité.

Exemple de charges pour sècheuse à grande capacité

Vêtements de travail lourds	
4 jeans	2 pantalons molletonnés
4 pantalons de travail	2 pulls molletonnés
4 pantalons de travail	

Serviettes	
10 serviettes de bain	14 débarbouillettes
10 essuie-mains	

Charge mixte	
3 draps (1 TG lit, 2 lits simples)	9 t-shirts
4 taies d'oreiller	9 shorts
3 chemises	10 mouchoirs
3 blouses	

3. Utilisation du séchage par capteur

- Sélectionner DRY LEVEL (niveau de séchage) pour régler le taux de séchage de la charge. Pendant le cycle, le contrôle capte le niveau de séchage de la charge et règle automatiquement la durée pour le niveau sélectionné.
- Sélectionner les options désirées.
- Presser START/PAUSE.

Remarque

Les sélections NIVEAU DE SÈCHAGE peuvent être faites seulement avec les cycles séchage par capteur. En sélectionnant MORE ou LESS, cela règle automatiquement la durée captée nécessaire.

4. Utilisation du cycle séchage par capteur

- Sélectionner un cycle de séchage manuel.
- Presser MORE ou LESS jusqu'à ce que la durée de séchage désirée s'affiche. Taper MORE ou LESS et la durée change en tranches de 1 minute.

Remarque

Cette fonction peut être utilisée avec les cycles de séchage manuel, séchage minuté et séchage support.

- Presser TEMP CONTROL jusqu'à ce que le voyant de la température désirée figure.
- (ÉTAPE OPTIONNELLE). Si désiré, sélectionner OPTIONS. Pour plus de détails, voir Options.
- Presser START/PAUSE. S'assurer que la porte est fermée.
- Si l'on ne presse pas la touche START/PAUSE dans un délai de 10 minutes du choix du cycle, la sècheuse se met automatiquement hors circuit.
- Si l'on désire mettre fin au cycle de séchage après avoir pressé START/PAUSE, presser cette touche de nouveau.

Pour arrêter la sècheuse en tout temps, presser START/PAUSE ou ouvrir la porte.

5. Pause ou remise en marche

Pour faire une pause en tout temps.

Ouvrir la porte ou presser une fois START/PAUSE.

Pour remettre en marche

Fermer la porte et presser START/PAUSE.

Remarque

Le séchage se poursuit là où il a été interrompu si l'on ferme la porte et que l'on presse START dans un délai de 10 minutes. Si le cycle est interrompu plus de 10 minutes, la sècheuse se met hors circuit. Sélectionner un nouveau réglage avant de remettre la sècheuse en marche.

⚠ AVERTISSEMENT

Une connexion inadéquate des fils ou une erreur de câblage peut causer un incendie, un choc électrique ou la mort.

Entretien

Nettoyage du filtre à charpie

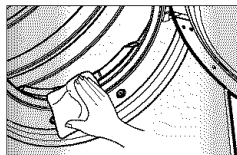
Nettoyer le filtre à charpie après chaque usage et le vérifier avant chaque usage.

Si le filtre n'est pas nettoyé ou vidé, cela augmente le temps de séchage et la consommation d'énergie.

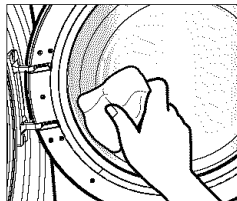
Par conséquent, la durée de vie de la sècheuse peut être réduite.

Nettoyer la porte et son ouverture

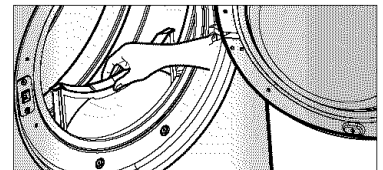
1. Essuyer l'ouverture de la porte. Autrement, les accumulations de poussière et d'objets étrangers endommageront le joint de la porte.



2. Nettoyer la porte en verre afin que la vue depuis l'intérieur soit claire.

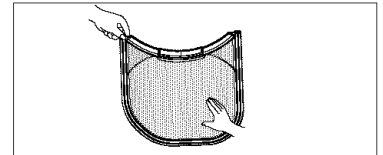


1. Ouvrir la porte et tirer le filtre droit.

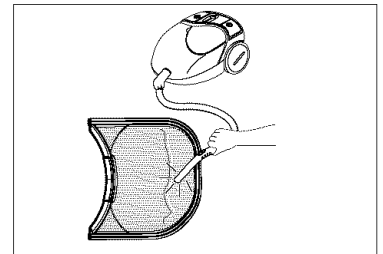


2. Nettoyer le filtre à l'aide d'une des méthodes suivantes

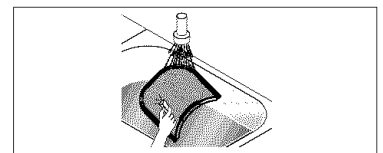
- 1 Passer les doigts sur le filtre.



- 2 Passer l'aspirateur sur le filtre.



- 3 Laver le filtre à l'eau chaude savonneuse. Bien assécher et remplacer.



Conseils de dépannage

Économiser temps et argent ! Revoir les tableaux aux pages suivantes avant d'effectuer un appel de service.

1 Problème : sécheuse ne se met pas en marche

Question	Quoi faire
• La sécheuse est-elle branchée ?	S'assurer que la sécheuse est bien branchée.
• Le fusible est-il grillé ou le coupe-circuit déclenché ?	Vérifier la boîte de fusibles ou coupe-circuit et remplacer le fusible ou réenclencher le coupe-circuit. IMPORTANT : les sécheuses électriques utilisent habituellement 2 fusibles ou coupe-circuit.

2 Problème : sécheuse ne chauffe pas

Question	Quoi faire
• Le fusible est-il grillé ou le coupe-circuit déclenché ?	Si le fusible est grillé ou le coupe-circuit déclenché, la sécheuse peut tourner mais pas sécher. Vérifier la boîte de fusibles ou coupe-circuit et remplacer le fusible ou réenclencher le coupe-circuit. IMPORTANT : les sécheuses électriques utilisent habituellement 2 fusibles ou coupe-circuit
• L'alimentation en gaz ou le service est-il obstrué ou arrêté ?	S'assurer que la soupape de gaz de la résidence et de la sécheuse est bien ouverte.

3. Problème : taches de graisse sur les vêtements

Question	Quoi faire
• A-t-on suivi les instructions de l'assouplissant ?	Vérifier et observer les instructions fournies avec l'assouplissant.
• Sèche-t-on des vêtements propres et sales en même temps ?	S'assurer d'utiliser la sécheuse seulement pour des articles propres, les articles sales peuvent contaminer la charge propre.
• Les vêtements étaient-ils bien propres ?	Les taches sur les vêtements secs sont des taches qui n'ont pas été nettoyées pendant le lavage. Revoir les instructions de lavage et s'assurer que les vêtements sont bien propres.

4 Problème : charpie sur les vêtements

Question	Quoi faire
• Le filtre à charpie est-il plein ?	Voir la rubrique concernant le nettoyage du filtre à charpie et s'assurer qu'il est propre avant et après chaque charge. .
• A-t-on bien trié la charge ?	Afin de réduire la quantité de charpie, trier les articles produisant plus de charpie et les séparer des autres articles.
• Les vêtements ont-ils un excès d'électricité statique ?	Voir commentaires ci-dessous.
• A-t-on surchargé la sècheuse ?	Diviser les grosses charges en plus petites.
• Y a-t-il du papier, papier mouchoir ou autres dans la charge ?	Certaines personnes oublient de vider les poches et y laissent des papiers mouchoirs, essuie-tout, etc. S'assurer de vider les poches avant le lavage et le séchage.

5 Problème : statique dans les vêtements après le séchage

Question	Quoi faire
• A-t-on utilisé de l'assouplissant ?	Utiliser de l'assouplissant pour réduire l'électricité statique.
• A-t-on trop séché la charge ?	Le sur séchage cause une accumulation d'électricité statique. Utiliser de l'assouplissant pour réduire l'électricité statique ou effectuer les réglages pour réduire le temps de séchage.
• Les articles à sécher sont-ils synthétiques, sans repassage ou un mélange ?	Ces tissus peuvent produire de l'électricité statique. Utiliser de l'assouplissant.

6 Problème : temps de séchage non constant

Question	Quoi faire
• Utilise-t-on des réglages de chaleur constants et des charges constantes ?	Le temps de séchage pour une charge dépend du réglage de chaleur, du type de chaleur utilisée (électrique, à gaz naturel ou LP), la grosseur de la charge, le type de tissus, l'humidité et la condition du conduit d'échappement et du filtre à charpie.

7 Problème : trop long à sécher

Question	Quoi faire
A-t-on bien trié la charge ?	Séparer les articles lourds des articles légers...
Sèche-t-on de grandes charges d'articles lourds ?	Les tissus lourds sont plus longs à sécher et gardent plus d'humidité. Pour aider à réduire les temps de séchage, séparer les articles en charge plus petite.
Les contrôles sont-ils bien réglés ?	Utiliser les réglages appropriés pour le type de charge à sécher.
Le filtre à charpie est-il propre ?	S'assurer qu'il est bien propre avant chaque nouvelle charge à sécher.
Les conduits d'échappement sont-ils propres et bien configurés ?	S'assurer de relire les rubriques appropriées dans ce guide concernant les conduits d'échappement. S'assurer qu'il n'y a pas d'obstruction, que les registres fonctionnent bien, etc.
Le fusible est-il grillé ou le coupe-circuit déclenché ?	Vérifier la boîte de fusibles ou coupe-circuit et remplacer le fusible ou réenclencher le coupe-circuit. IMPORTANT : les sècheuses électriques utilisent habituellement 2 fusibles ou coupe-circuit.
A-t-on surchargé la sècheuse ?	Diviser les grosses charges en plus petites.
A-t-on sous chargé la sècheuse ?	Si l'on sèche seulement une très petite quantité d'articles, en ajouter quelques-uns.

8 Problème : vêtements froissés

Question	Quoi faire
• Les vêtements ont-ils trop séché ?	Un sur séchage peut causer le froissement. Réduire le temps de séchage et retirer les vêtements pendant qu'il y a encore une petite quantité d'humidité.
• Les vêtements sont-ils retirés de la sècheuse dès que le cycle est terminé ?	Retirer les articles dès que le cycle est terminé, les suspendre ou les plier.

9 Problème : vêtements rétrécissent

Question	Quoi faire
• Les instructions d'entretien ont-elles été suivies ?	Pour éviter le rétrécissement, lire et observer soigneusement les instructions d'entretien des vêtements. Certains tissus rétrécissent naturellement lorsque lavés. D'autres peuvent être lavés mais rétrécissent au séchage.
• Problème avec le modem à distance	Voir le guide du propriétaire du modem à distance et PLC.

GARANTIE LIMITÉE DE LA SÈCHEUSE LG – CANADA

LG Electronics Canada inc. réparera ou, à sa discrétion, remplacera sans frais, le produit s'il présente des défauts de matériaux ou de fabrication dans des conditions d'utilisation normale pendant la période de garantie énumérée ci-dessous et ce, en vigueur à compter de la date d'achat d'origine par le consommateur. Cette garantie limitée est s'applique seulement pour l'acheteur d'origine du produit et est en vigueur pour toutes les provinces du Canada.

PÉRIODE DE GARANTIE

Main-d'œuvre : 2 ans depuis la date d'achat

Pièces : 2 ans depuis la date d'achat

Moteur, Contrôleur : 3 ans depuis la date d'achat

Tambour : 5 ans depuis la date d'achat

POUR LE SERVICE

Téléphoner au 1-888-542-2623 (1-888-LG-CANADA) et choisir l'option appropriée. Avoir le type de produit (sècheuse), les numéros de modèle et de série ainsi que le code postal.

La garantie de 2 ans couvre les frais du service à domicile sur toutes les pièces incluant le tambour et le moteur.

CETTE GARANTIE EST EN LIEU DE TOUTE AUTRE GARANTIE EXPRESSE OU IMPLICITE, INCLUANT SANS LIMITATION TOUTE LA GARANTIE DE COMMERCIALISATION OU DESTINÉE À UN BUT PARTICULIER. TOUTE GARANTIE IMPLICITE EST REQUISE PAR LA LOI, MAIS EST LIMITÉE PAR LA DURÉE DE LA PÉRIODE DE GARANTIE EXPRESSE SUSMENTIONNÉE. LG ELECTRONICS NE POURRA ÊTRE TENUE RESPONSABLE POUR TOUTE PERTE OU UTILISATION DE CE PRODUIT, INCONVÉNIENT, PERTE OU TOUT AUTRE DOMMAGE, INDIRECT OU ACCESSOIRE, SURVENANT DE L'UTILISATION OU DE L'INHABILITÉ À UTILISER CE PRODUIT OU POUR TOUT BRIS DE GARANTIE EXPRESSE OU IMPLICITE, INCLUANT LA GARANTIE IMPLICITE DE COMMERCIALISATION APPLICABLE À CE PRODUIT. CERTAINES PROVINCES NE PERMETTENT PAS L'EXCLUSION OU LA LIMITATION DE DOMMAGES ACCESSOIRES OU INDIRECTS OU LES LIMITATIONS SUR LA DURÉE D'UNE GARANTIE IMPLICITE, PAR CONSÉQUENT CES LIMITATIONS OU EXCLUSIONS PEUVENT NE PAS S'APPLIQUER. CETTE GARANTIE DONNE DES DROITS LÉGAUX ET L'ON PEUT EN AVOIR D'AUTRES QUI VARIENT D'UN ÉTAT À UN AUTRE OU D'UNE PROVINCE À UNE AUTRE.

LA GARANTIE CI-DESSUS NE S'APPLIQUE PAS À :

1. Les déplacements de service à domicile pour la livraison ou la cueillette, l'installation, le remplacement de fusibles ou de câblage résidentiel approprié, plomberie ou correction de réparations non autorisées.
2. Dommages au produit causés par accident, parasites, incendie, inondation ou actes de Dieu. Dommages résultant d'accidents, de modifications, de mauvaise utilisation, d'abus ou d'une installation inadéquate ou utilisation à des fins commerciales ou à l'utilisation autre que l'usage auquel il est destiné.
3. Par conséquent, les frais encourus sont imputés au consommateur.

NUMÉROS D'AIDE A LA CLIENTELE

Pour obtenir une garantie

Conserver la facture comme preuve de la date d'achat

Un exemplaire de la facture doit être présenté au moment où un service sous garantie est fourni.

Pour obtenir un produit ou de l'aide, un centre de service le plus proche

Téléphoner au **1-888-542-2623 (1-888-LG-CANADA)**: (lun. au ven. 8 h à 17 h Est; de 9 h à 18 h Central). Presser l'option du menu appropriée et avoir le type de produit (sècheuse), numéro de modèle, numéro de série et code postal ou visiter le site [Http://www.lg.ca](http://www.lg.ca)